

KING Sofa Bed

Assembly | User Guide

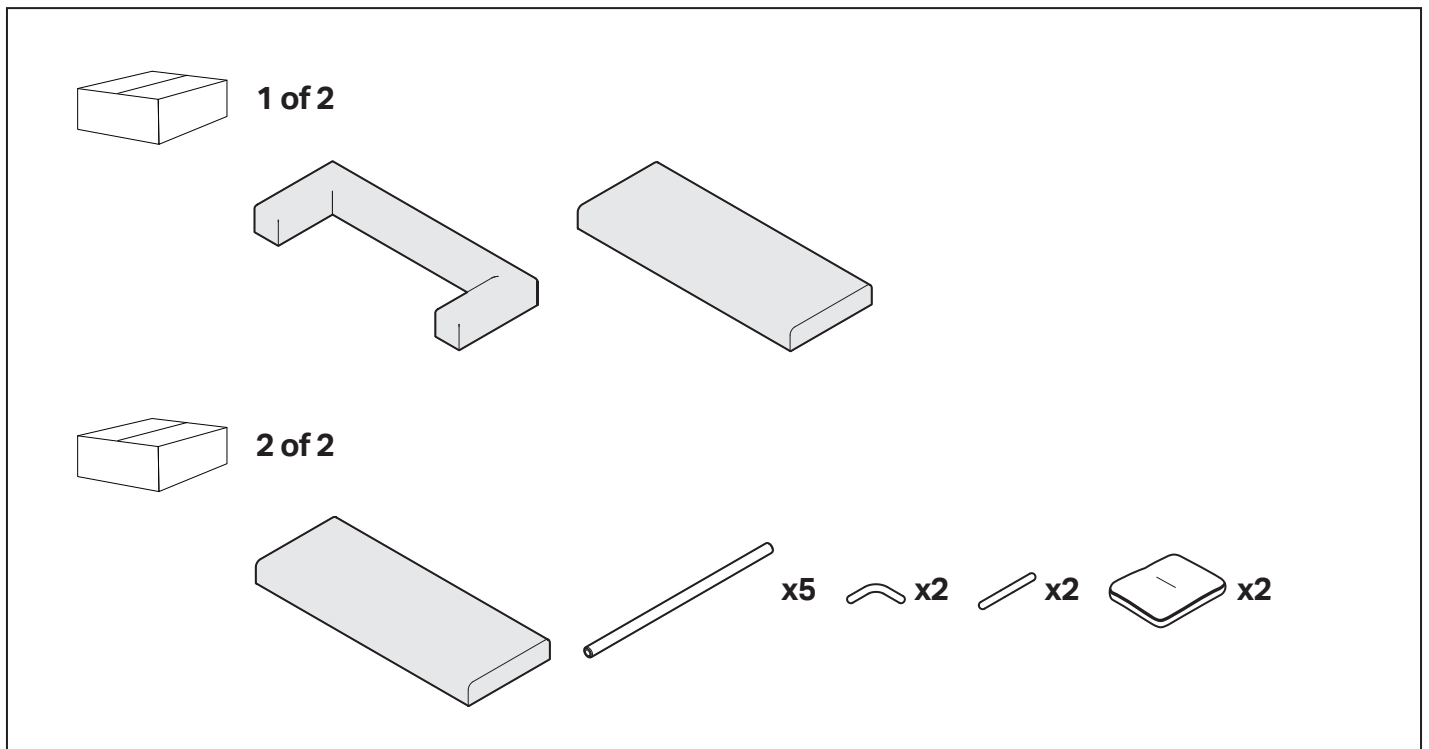


Product Care

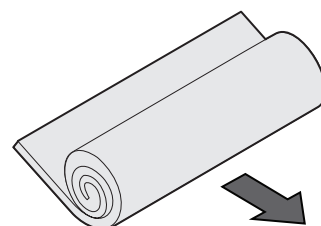
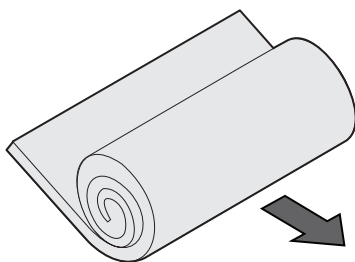
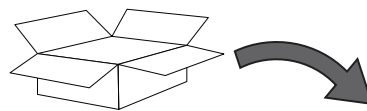
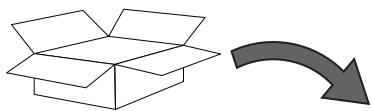
Two people required for safe assembly

Opening Boxes: DO NOT use a knife to open the packaging as you may damage your furniture. Peel-off the tape, then lift and separate the cardboard flaps to open.

Please follow these Assembly | User Guide Instructions

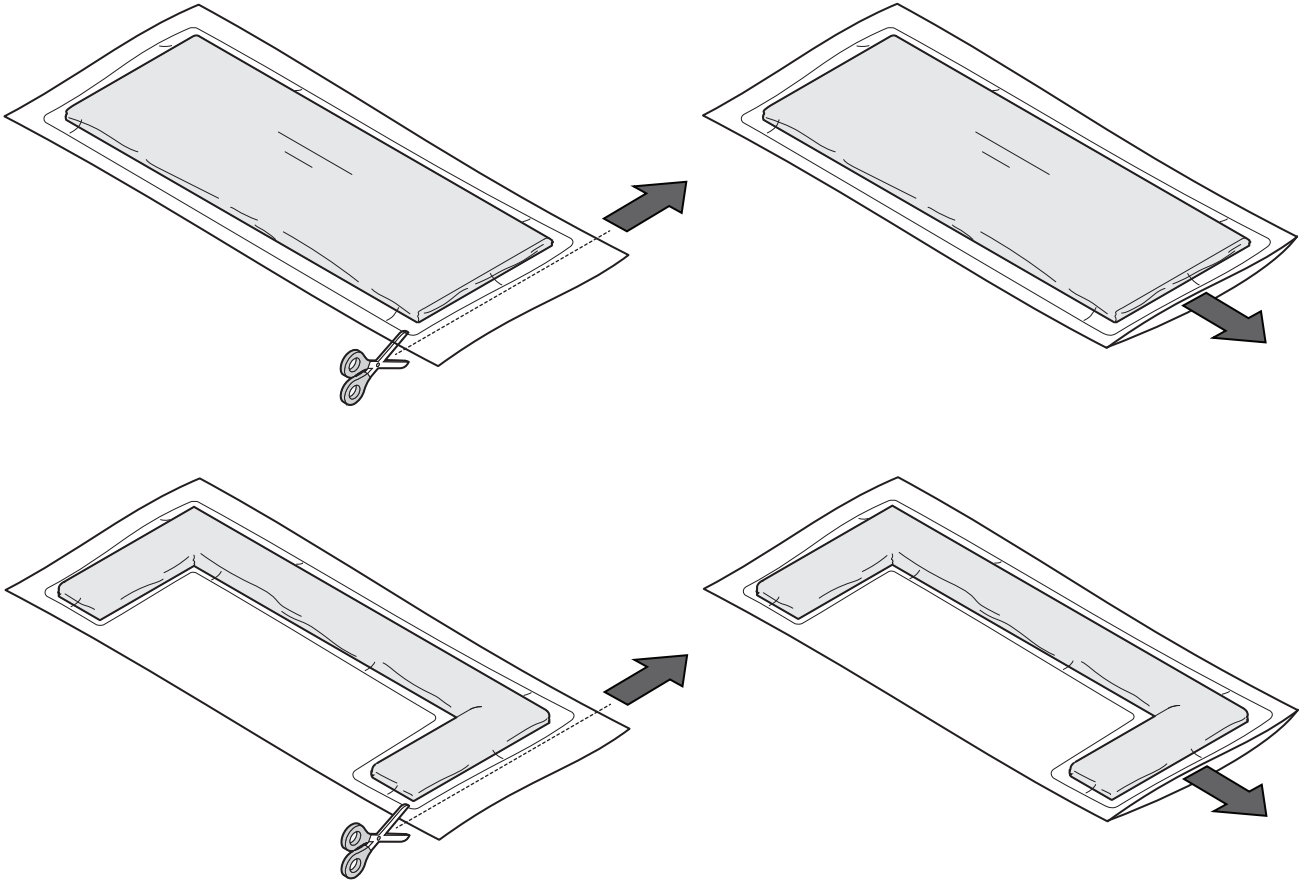


1

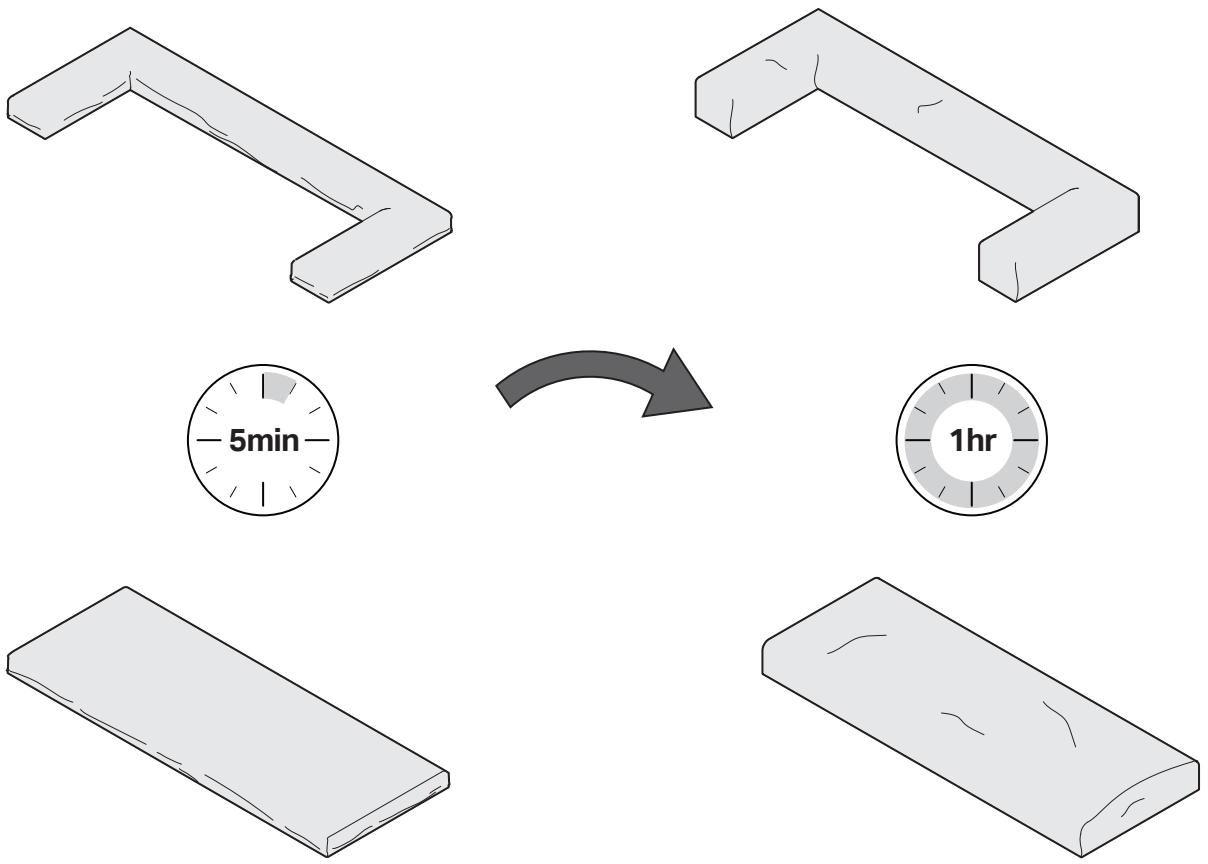


WARNING: Do not use a knife to cut tape. This can damage the product. Peel-off the tape, then unroll.

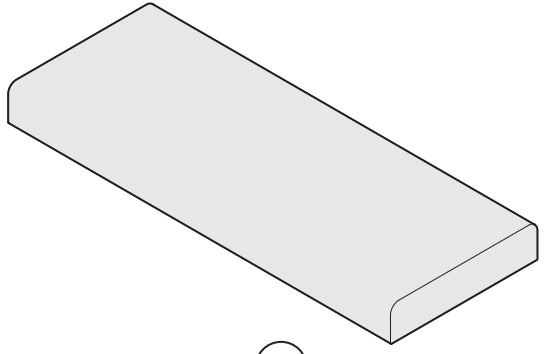
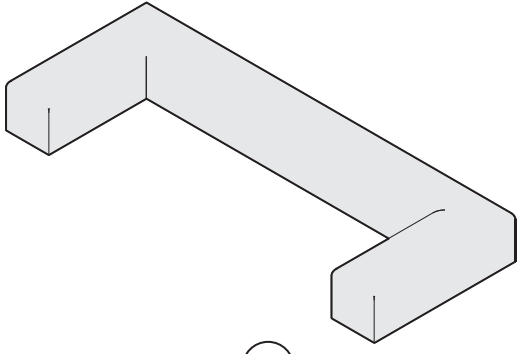
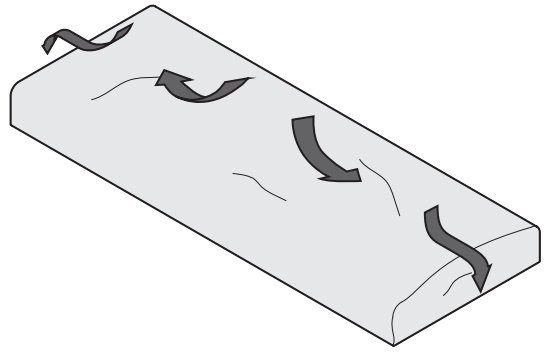
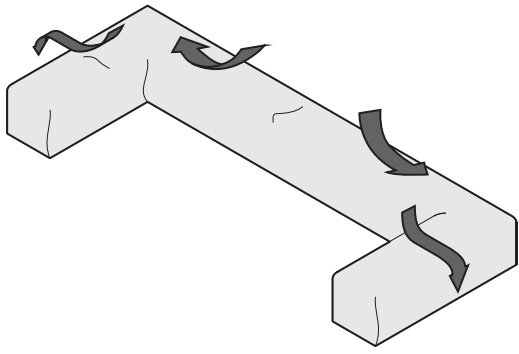
2



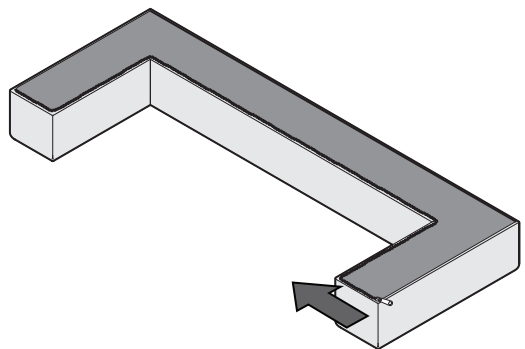
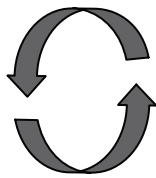
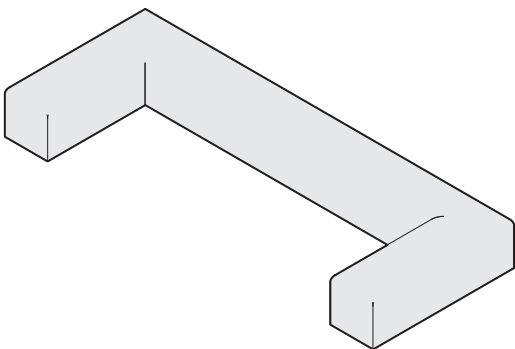
3



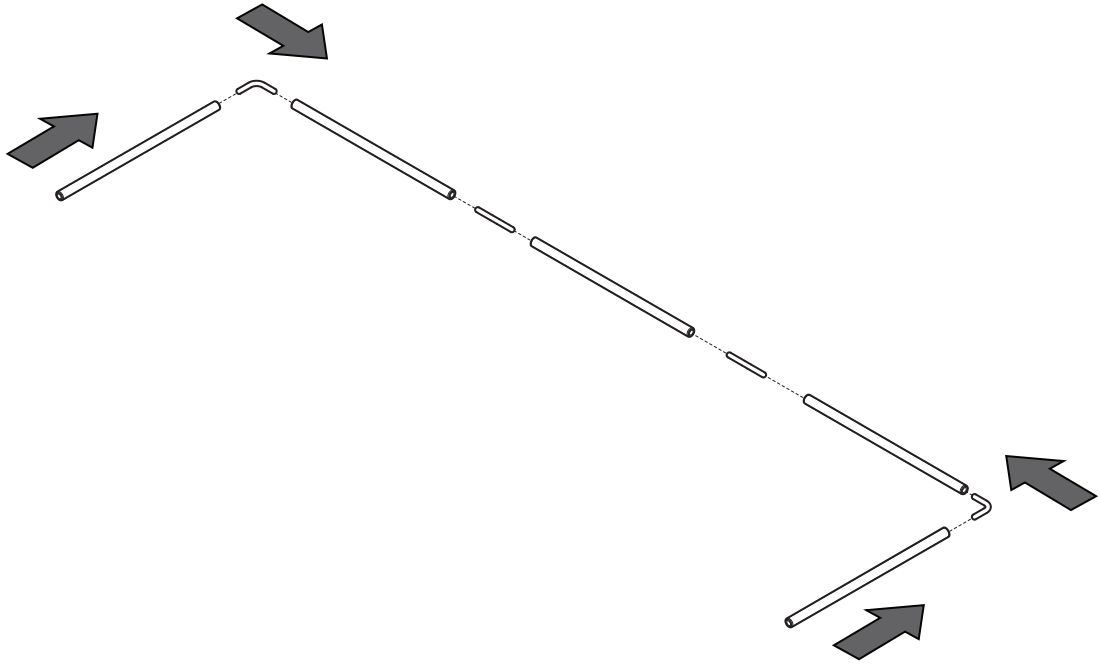
4



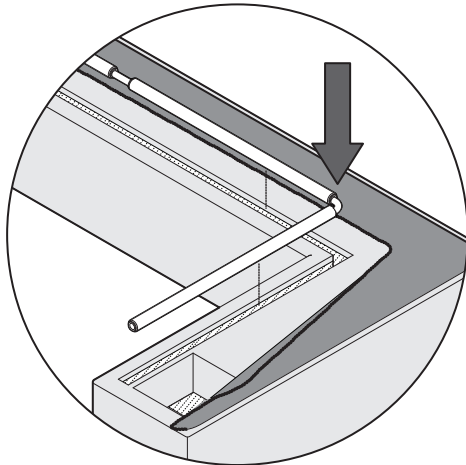
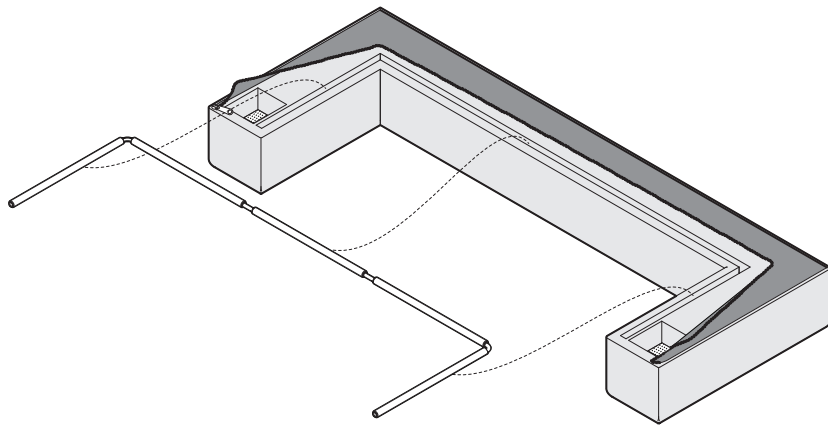
5



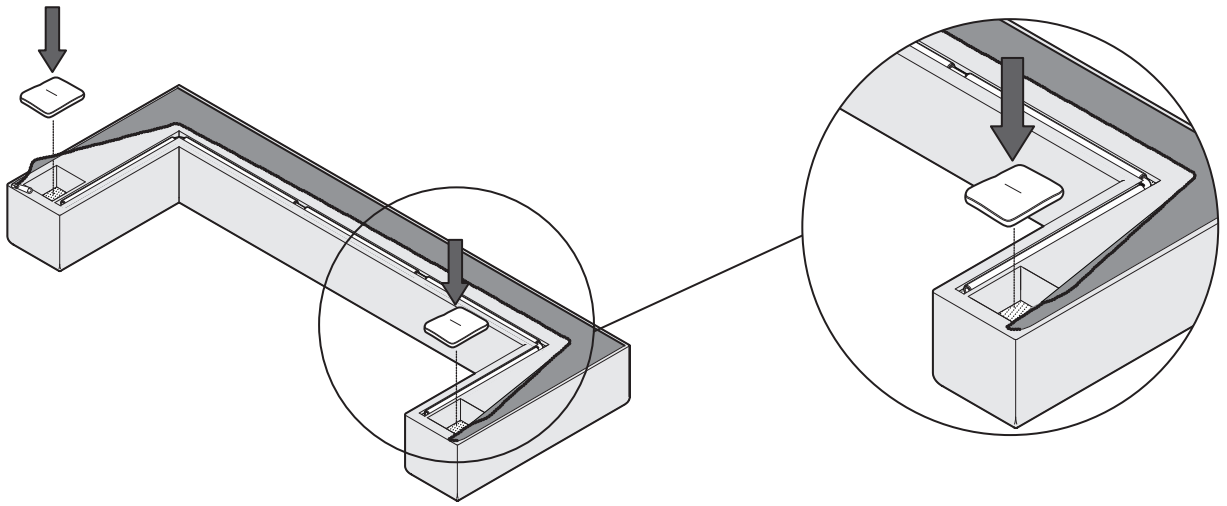
6



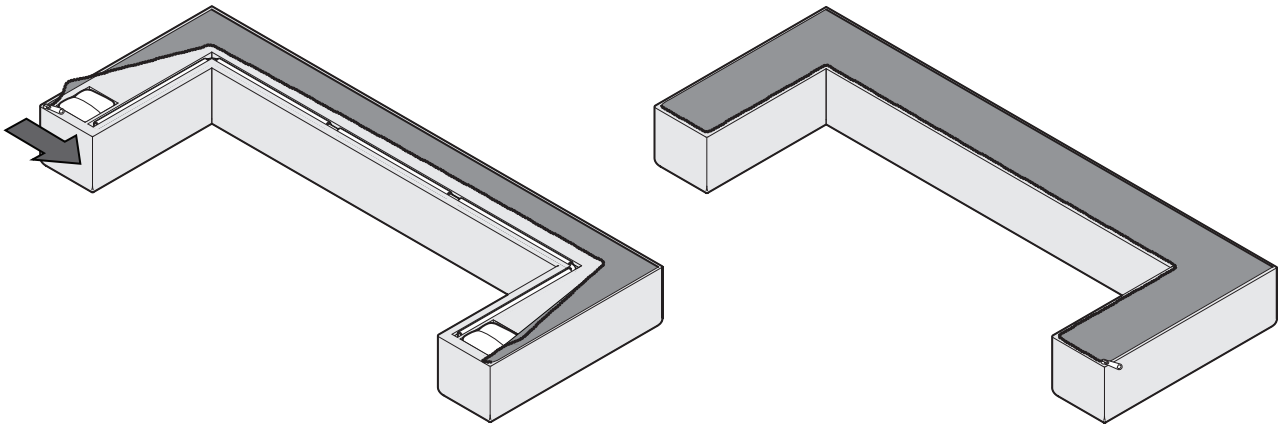
7



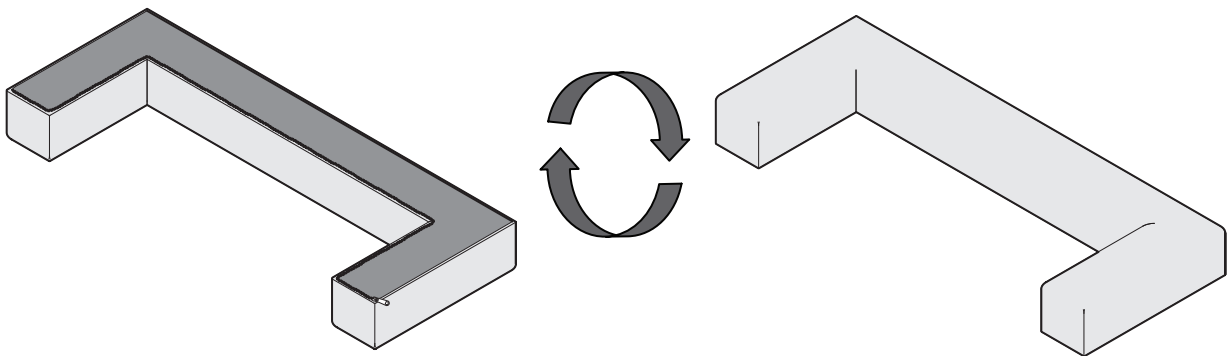
8



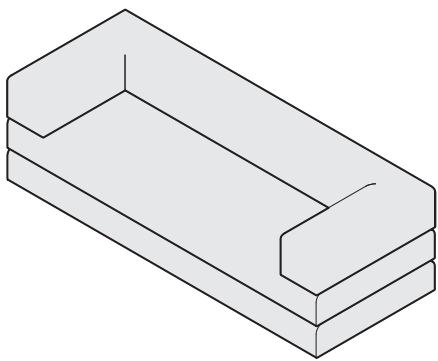
9



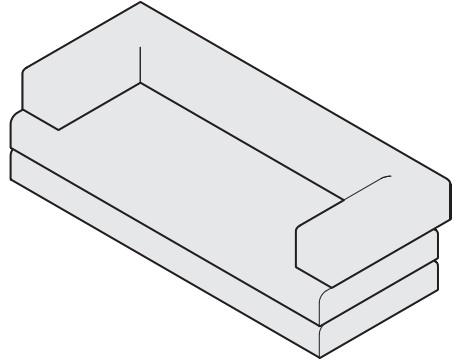
10



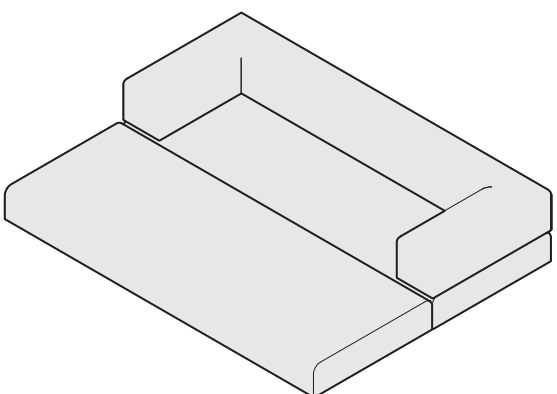
KING Sofa Bed Configurations



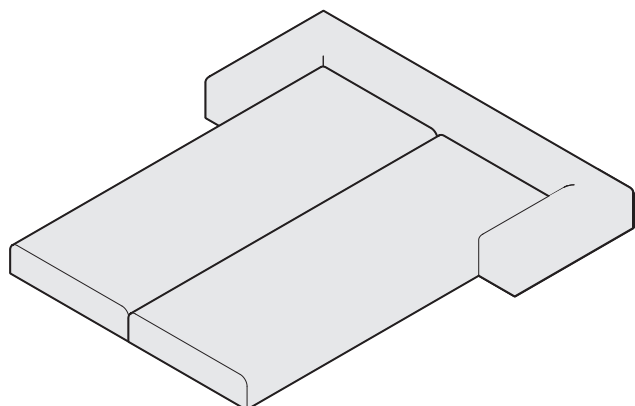
Sofa



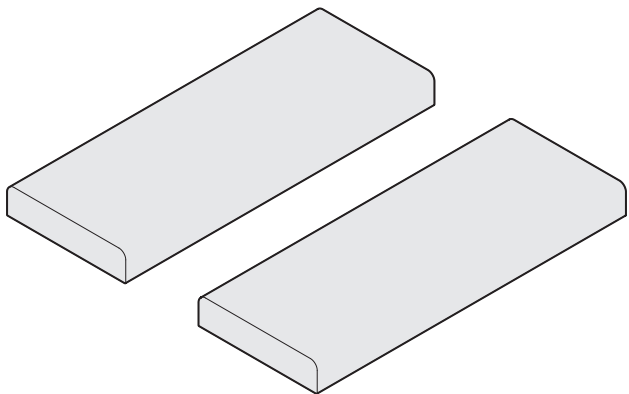
Sofa Deep



Chaise



Bed



Two Single
Beds