

Serenade Soft Motion Bed

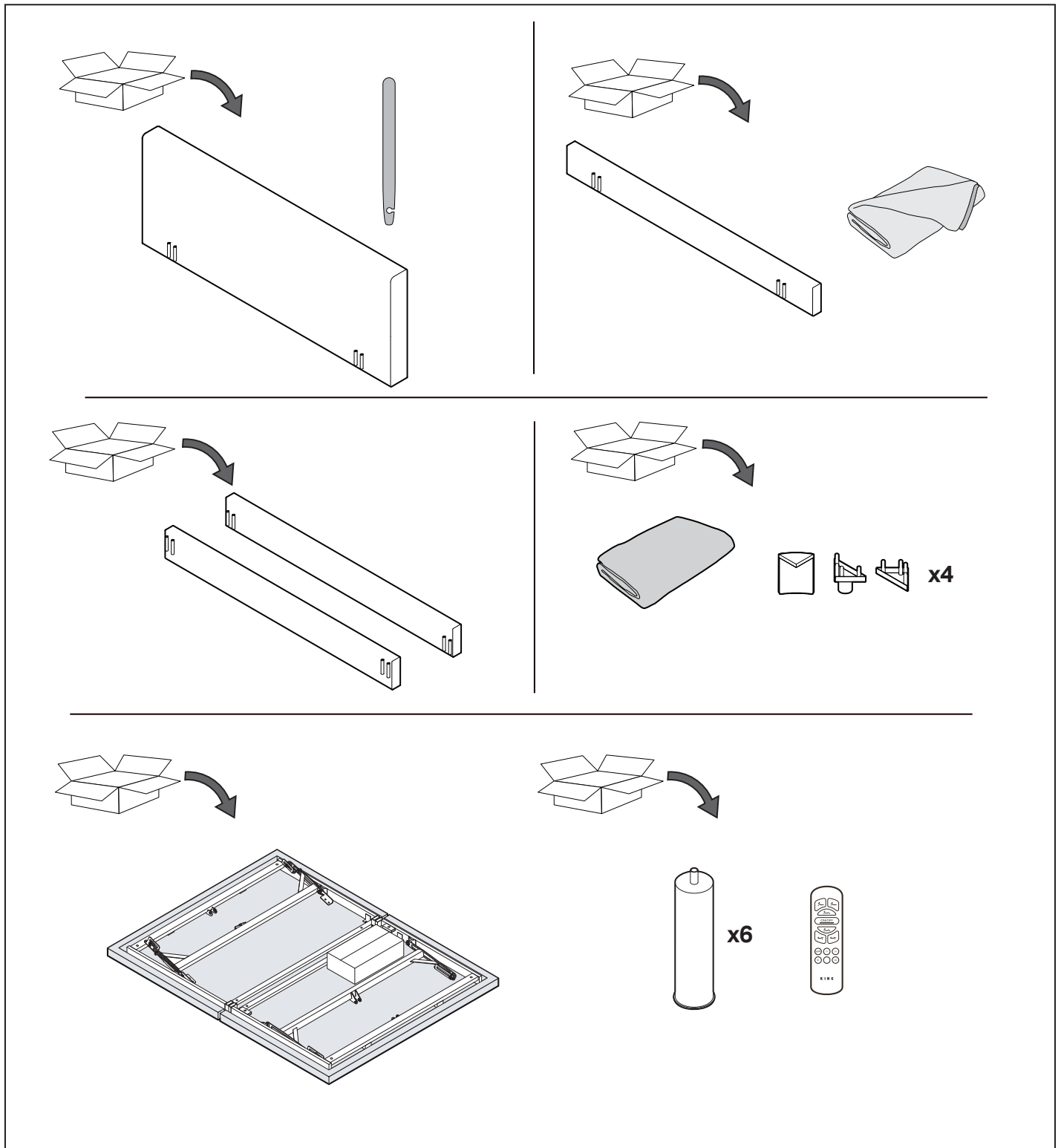
Assembly | User Guide

Two people are required for safe assembly

Opening Boxes:

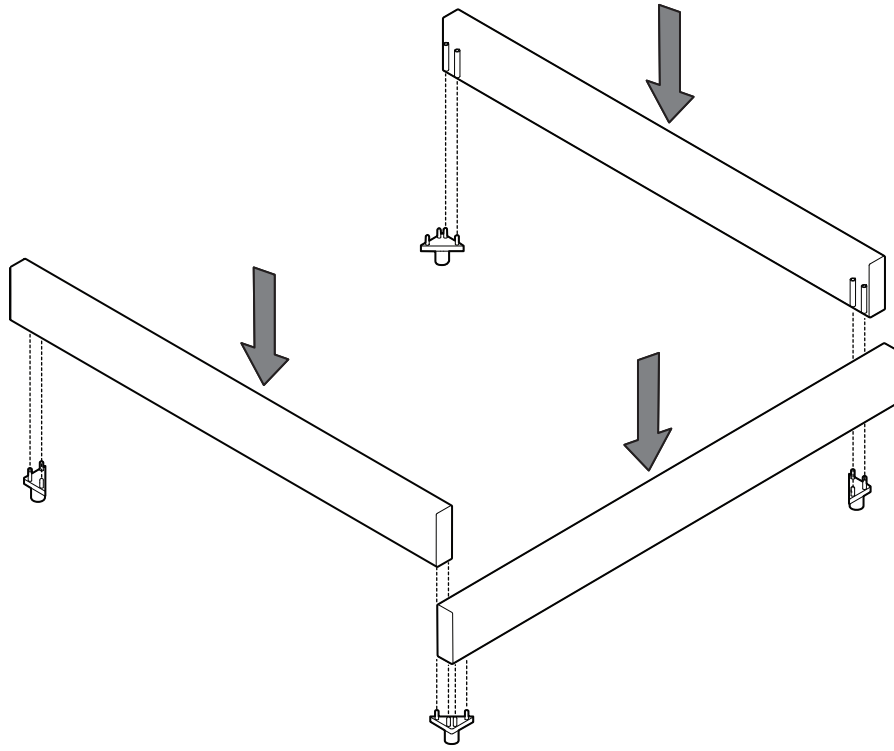
DO NOT use a knife to open the packaging as you may damage your furniture. Peel off the tape, then lift & separate the cardboard flaps to open.

Assemble your furniture by following the instructions below.

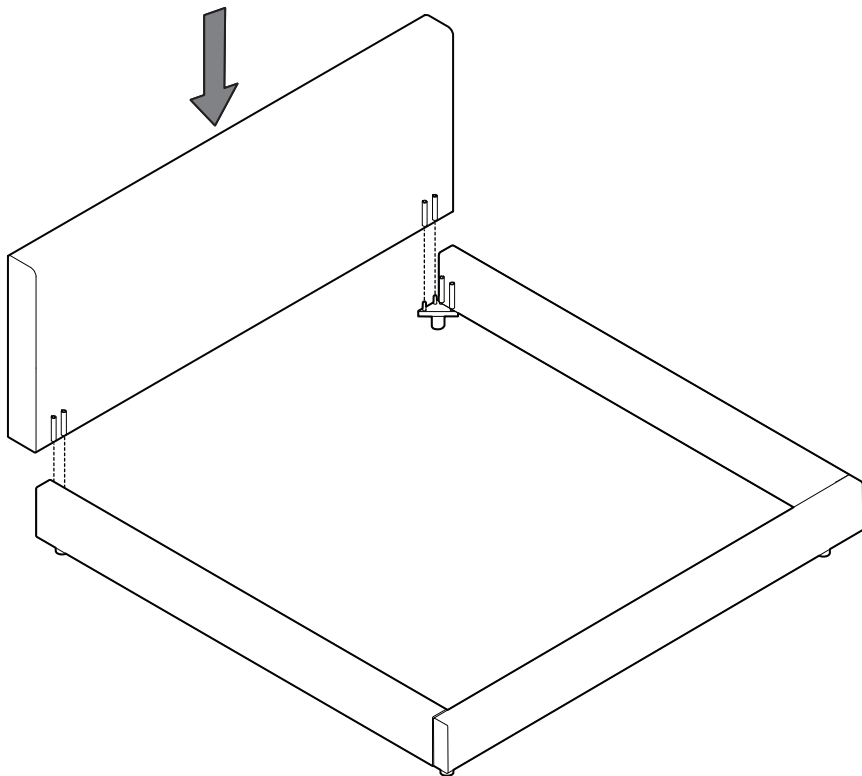


1

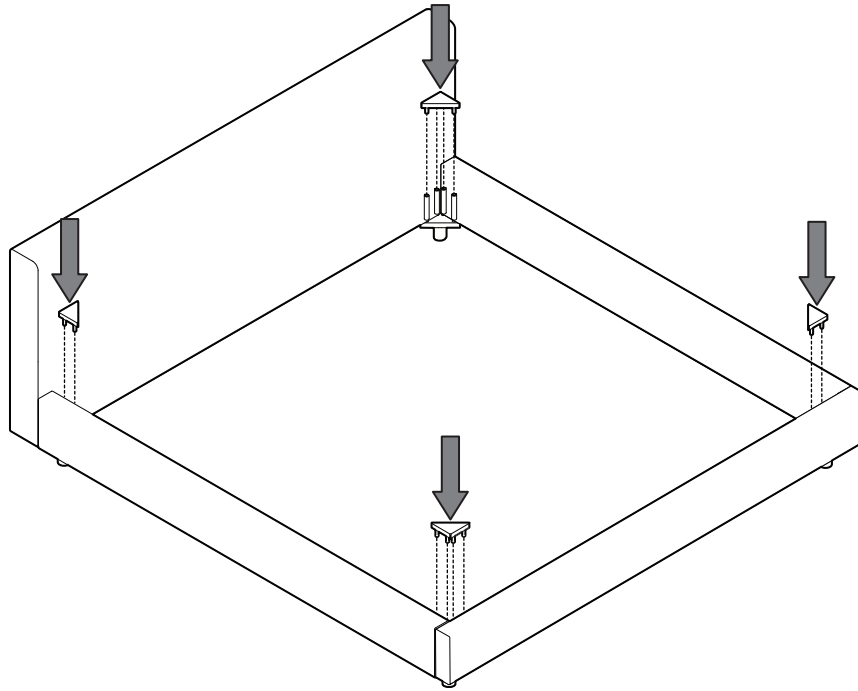
Bed Frame Assembly



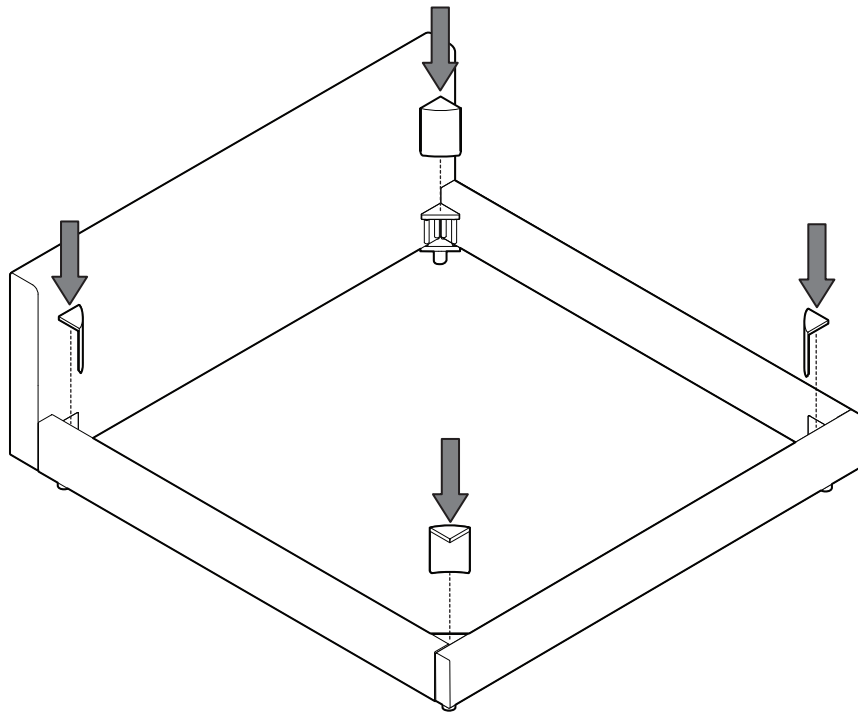
2



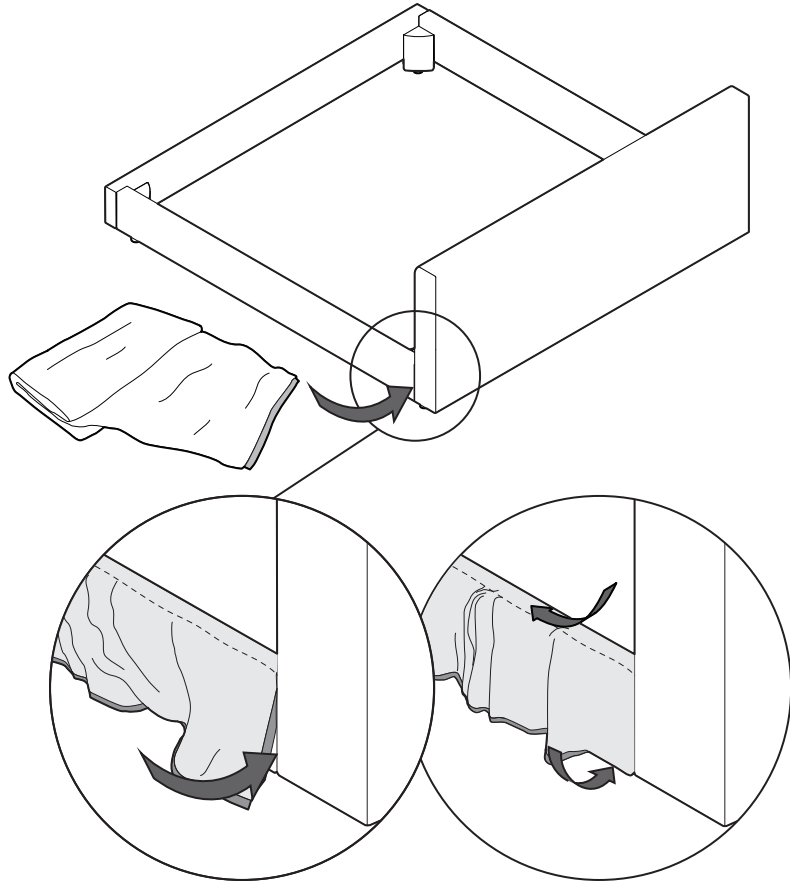
3



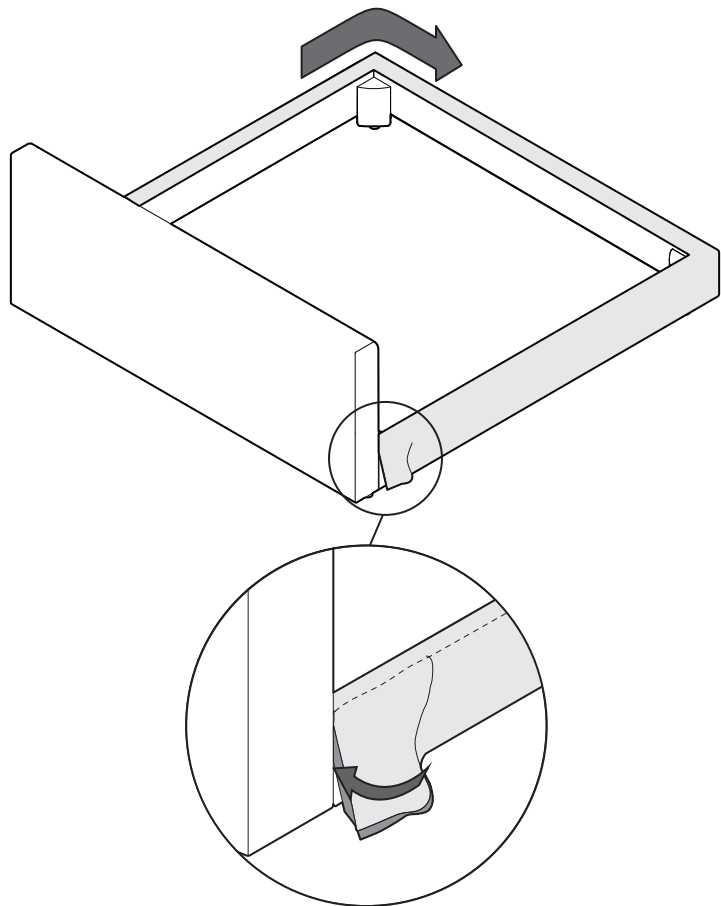
4



5

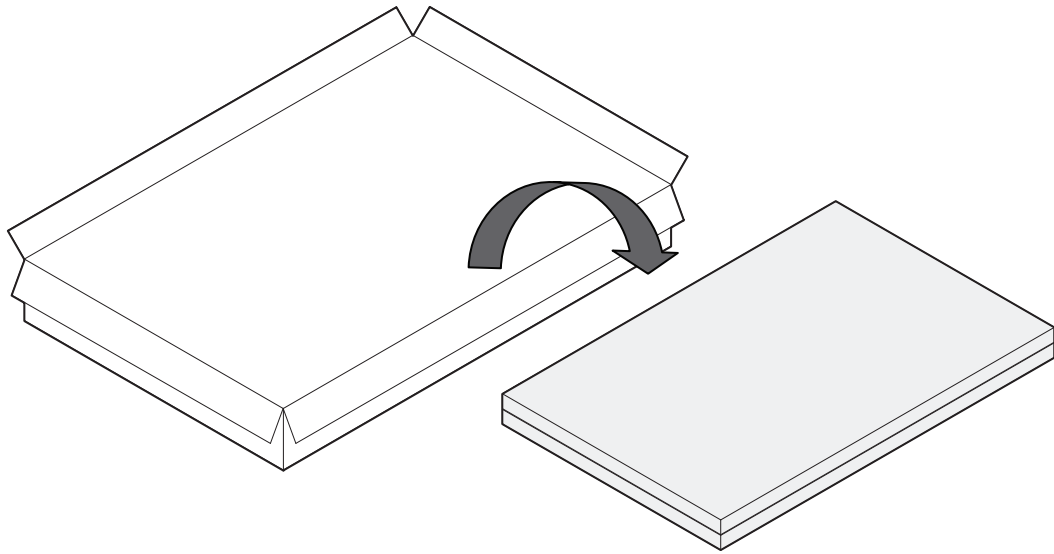


6

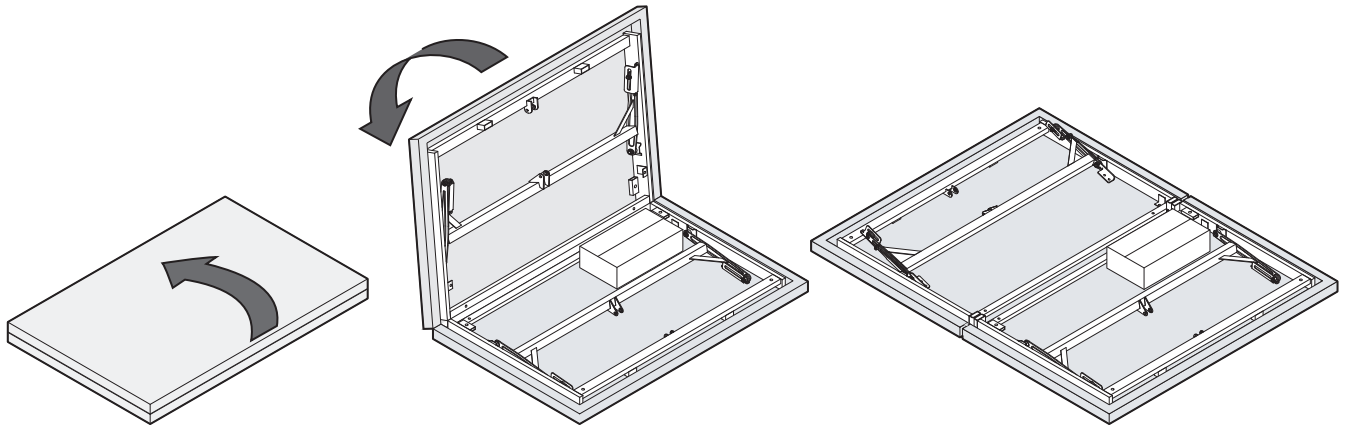


7

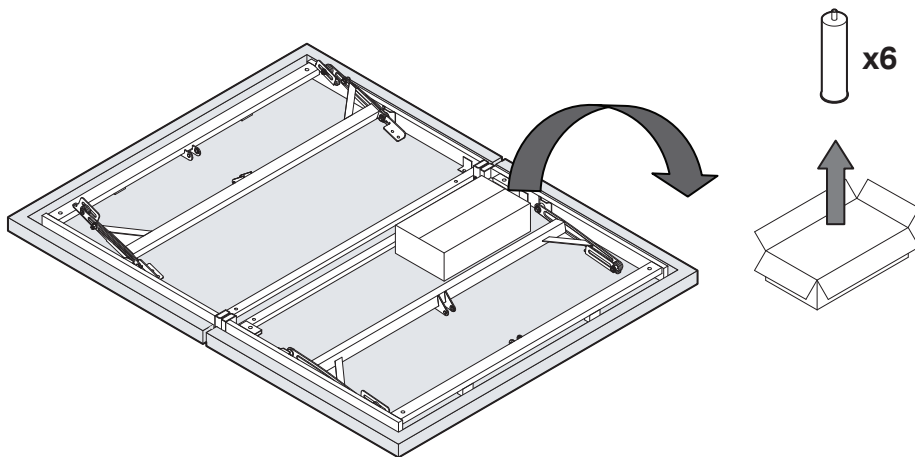
Motion Bed Assembly



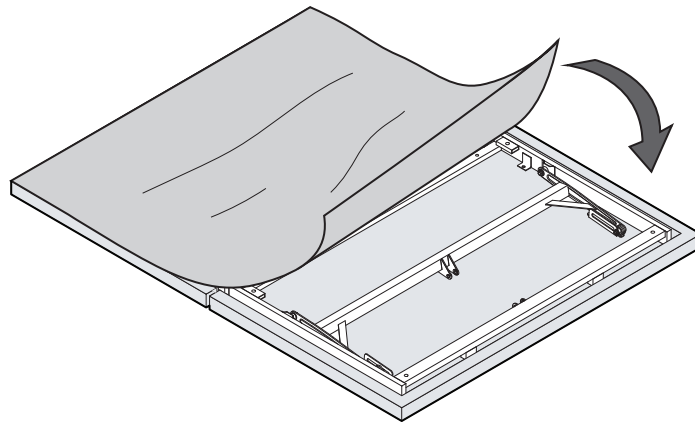
8



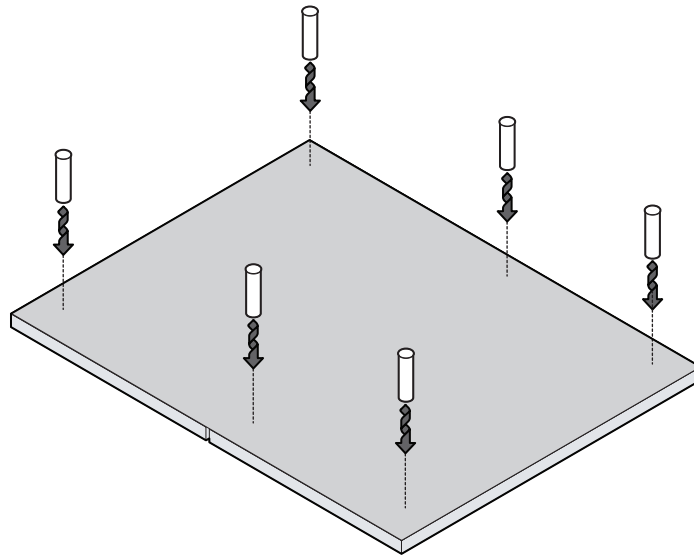
9



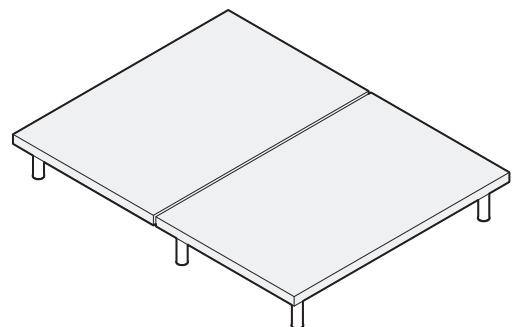
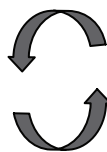
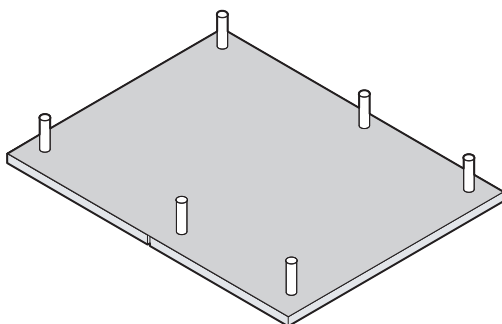
10



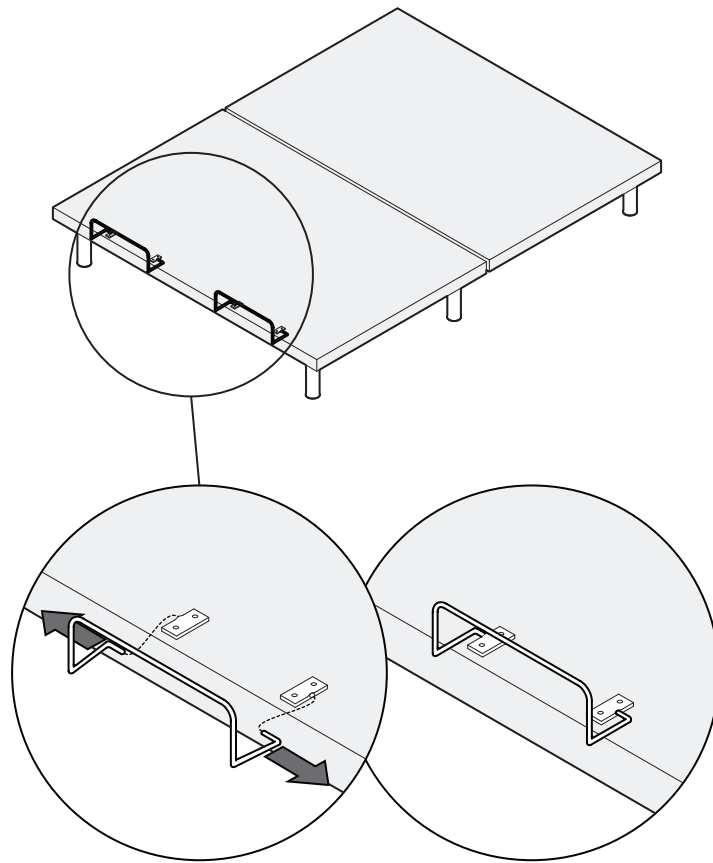
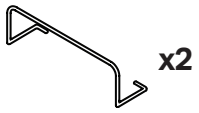
11



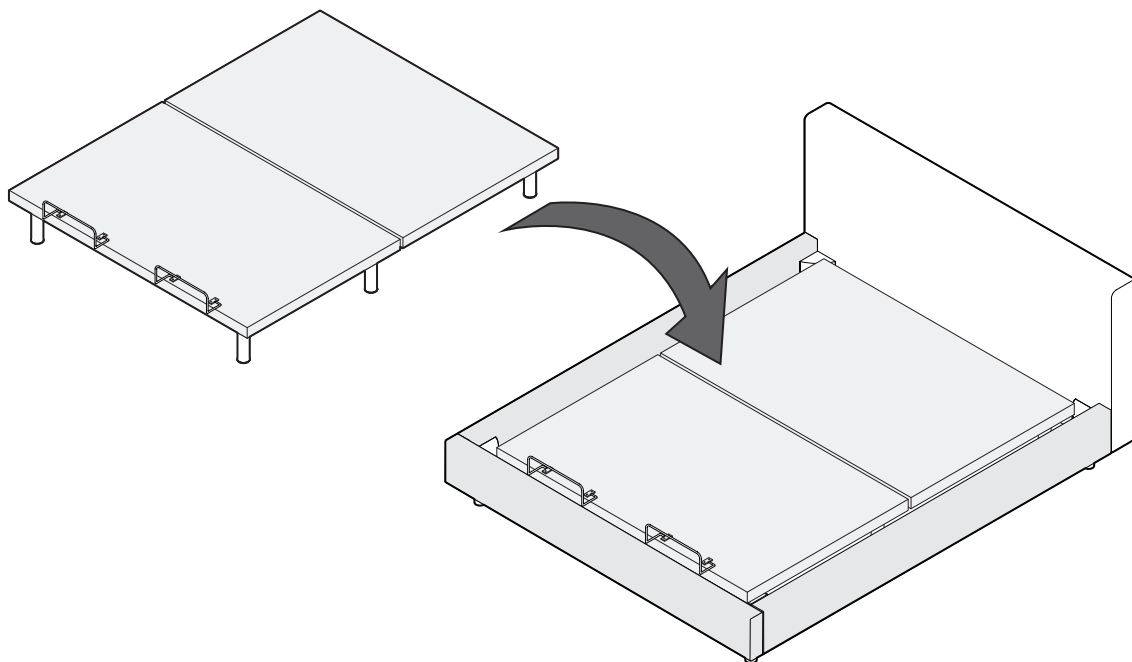
12



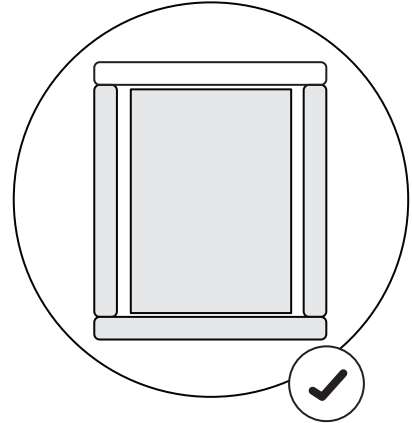
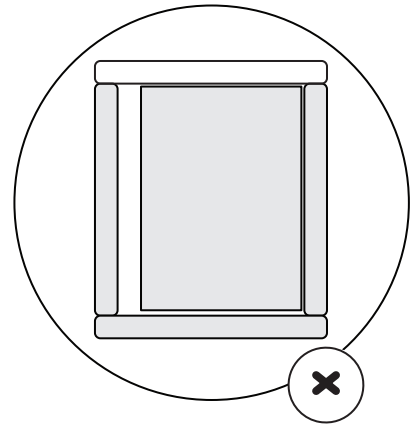
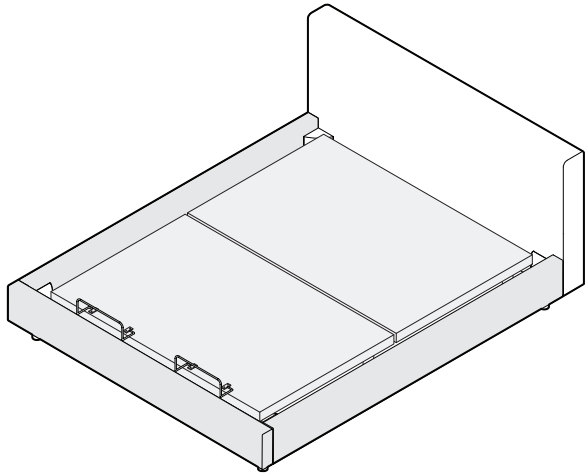
13



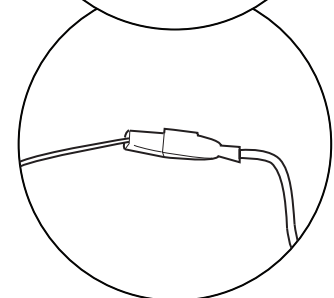
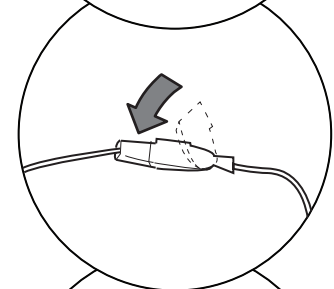
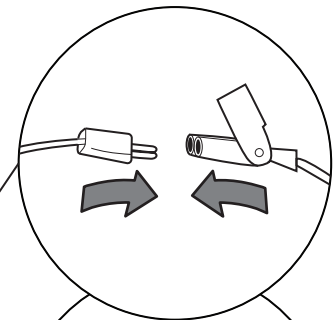
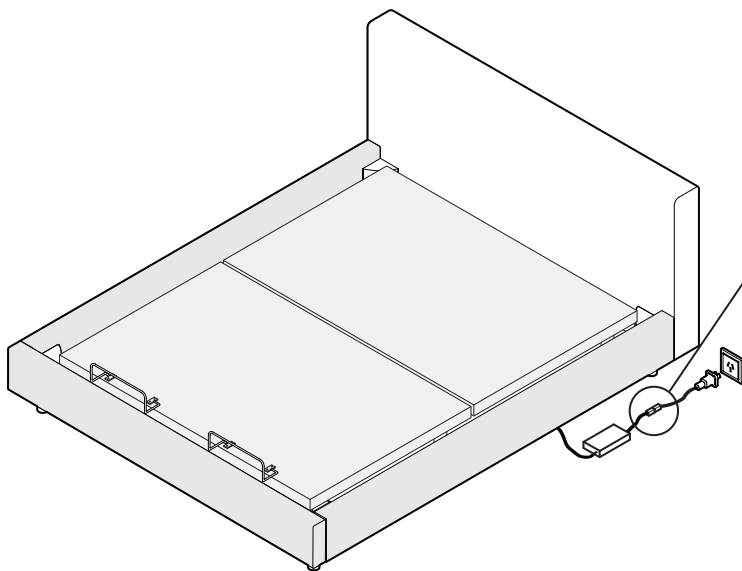
14



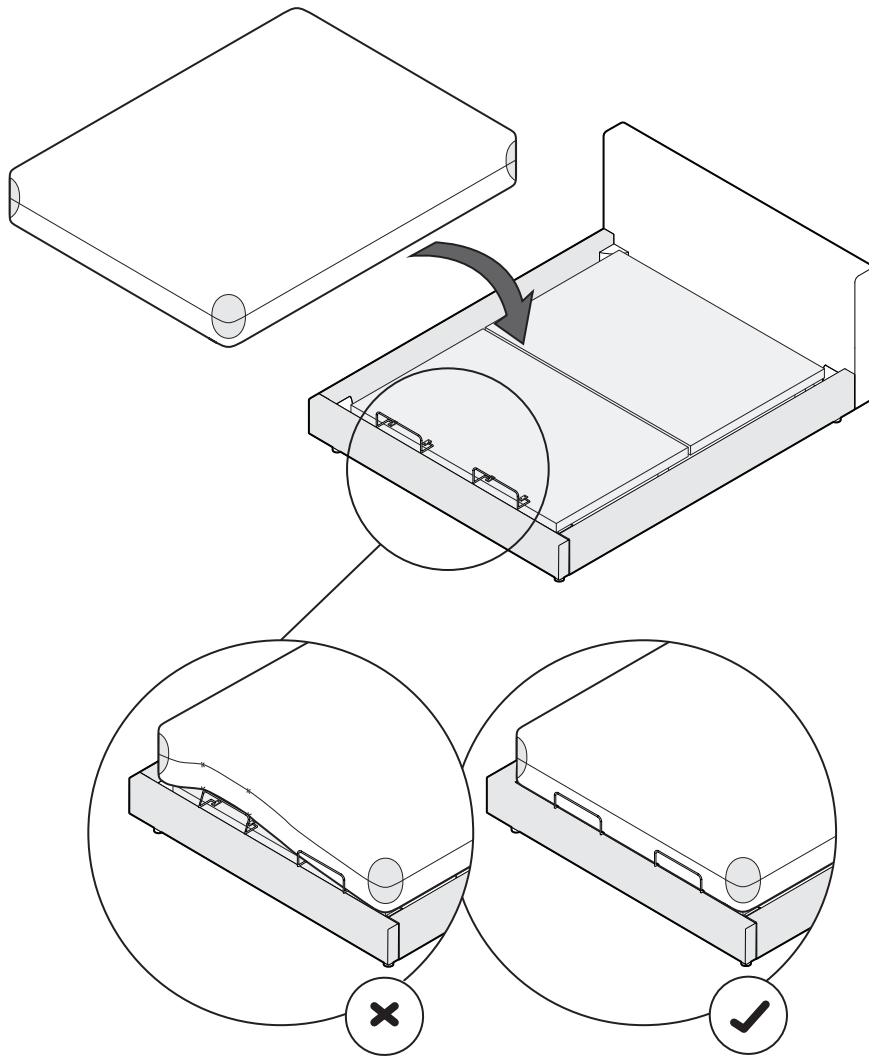
15



16

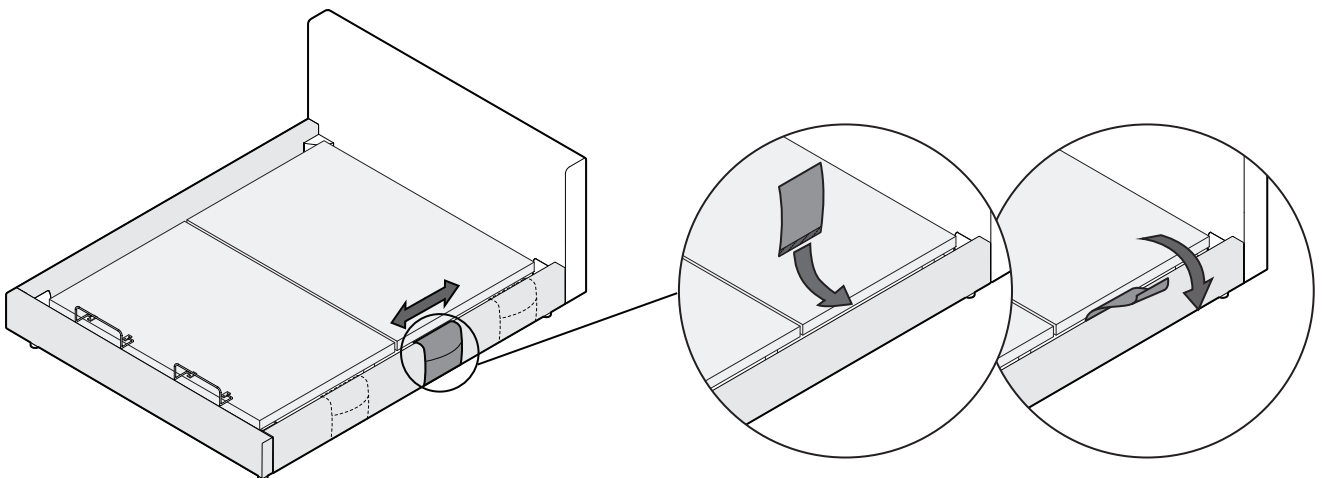


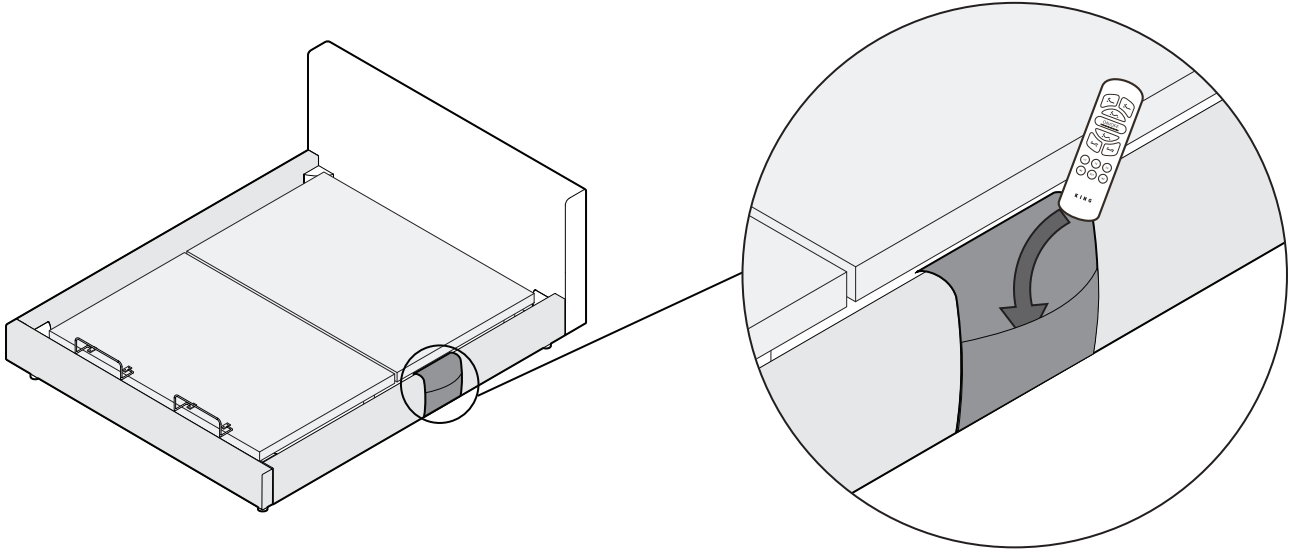
17



17

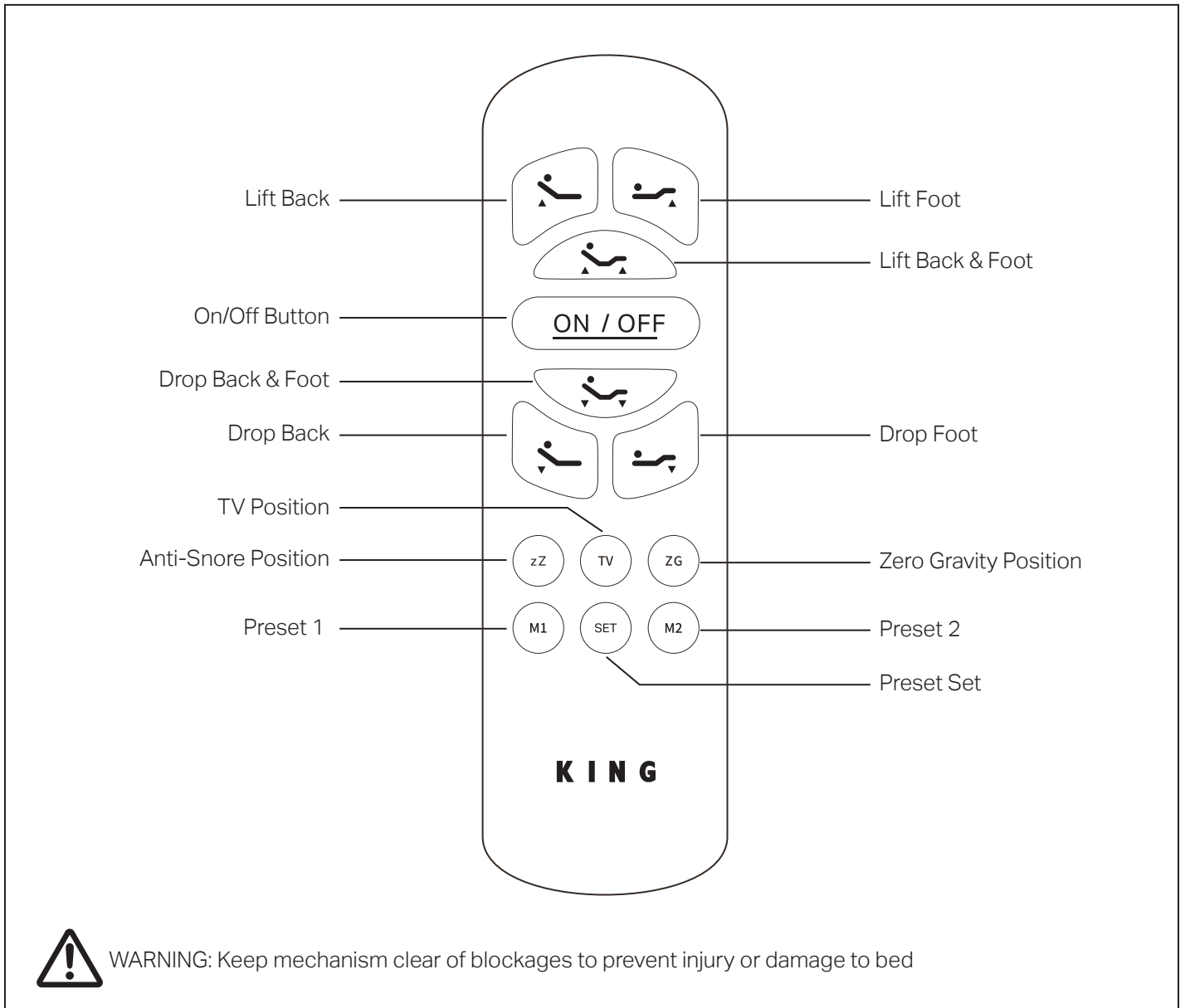
Remote Side Pouch
Optional Accessory





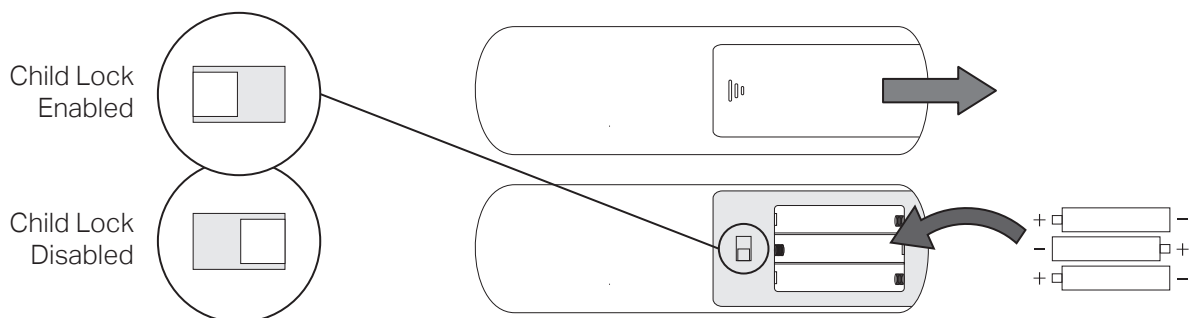
Motion Bed Remote Control

User Guide



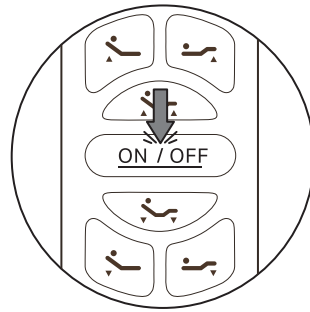
Start Up

Install batteries into back of remote control. Disable Child Lock located behind removable back panel. When enabled, both handle and control box will be locked. A flashing light will occur when any button is pressed when Child Lock is enabled.



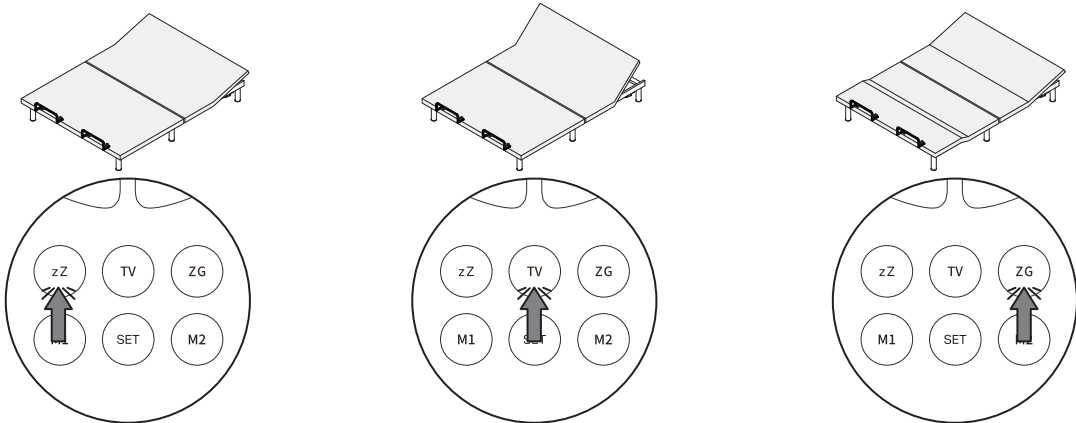
Power ON/OFF

To turn on remote control, press and hold ON / OFF button until a long beep can be heard. To turn remote control off, press and hold ON / OFF button until a short beep can be heard. When not in use, turn remote control off.



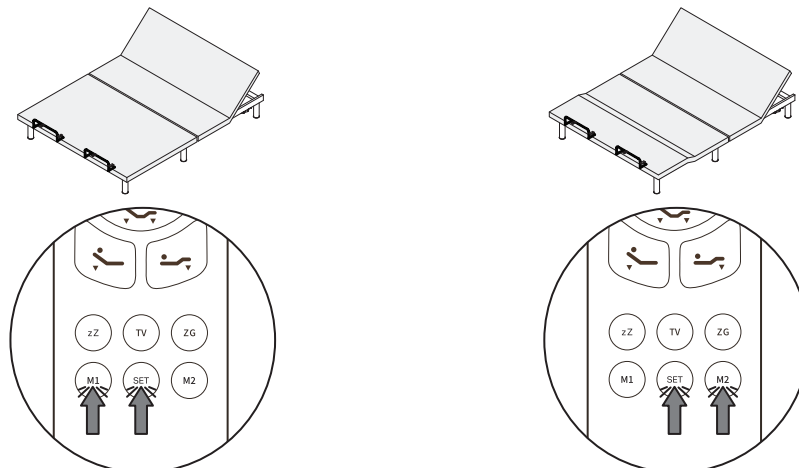
Existing Presets

Motion Bed comes with 3 presets loaded, Anti-Snore Position, TV Position and Zero Gravity Position. To select one of these presets, press and hold the preset button and the bed will begin to move into position. A beep will indicate when the position is reached.



Setting and Using Programmable Presets

When head and foot are in desired position, press and hold Preset Set and one of the programmable preset buttons simultaneously until lights on remote control flash to indicate a successful preset change. To select a preset, press and hold the selected programmable preset button and the bed will begin to move into position. A beep will indicate when the set position is reached.

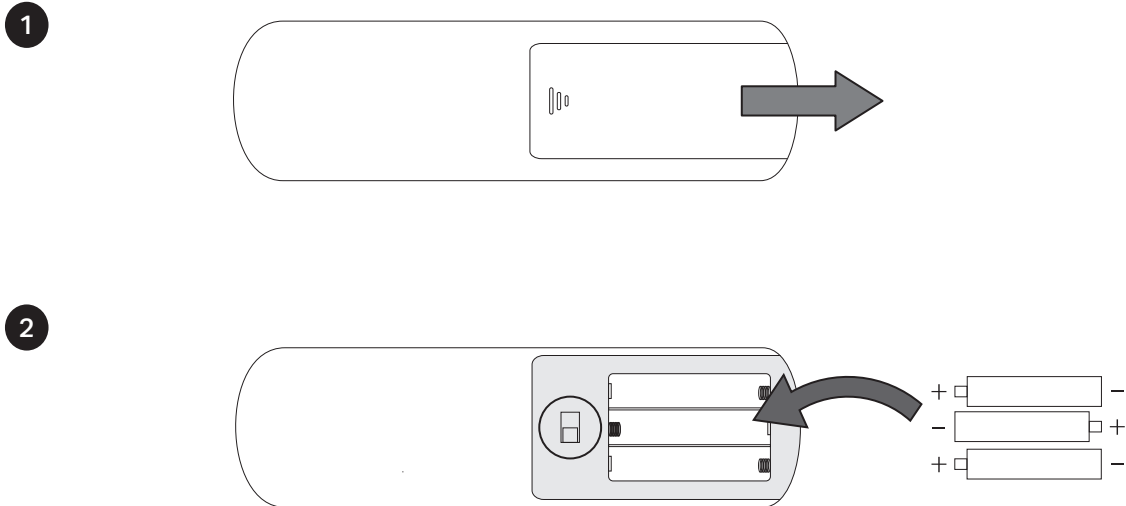


Troubleshooting

Q Why is my bed not moving when I am using the remote control?

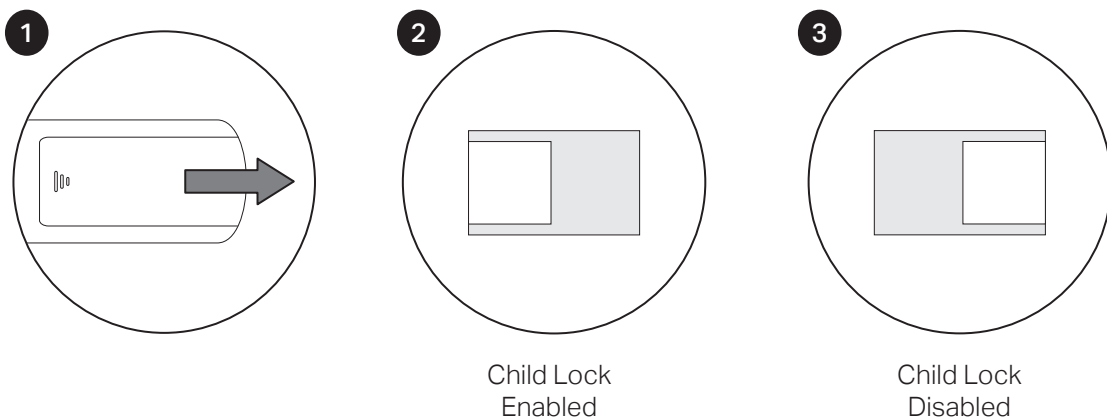
1 Your remote control may have run out of batteries. Follow these steps:

1. Remove the cover plate on the backside of the remote control.
2. Remove the current batteries from the remote and replace them with new batteries.



2 Child Lock may be enabled on your remote control. Follow these steps:

1. Remove the cover plate on the backside of the remote control.
2. Check the Child Lock switch to see if it has been enabled.
3. If enabled, slide switch to the right to disable Child Lock.



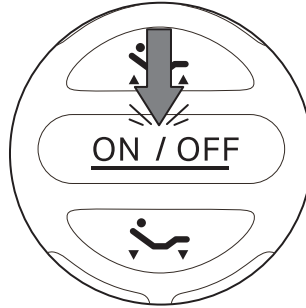
Q

Why is my bed not moving when I am using the remote control?

3

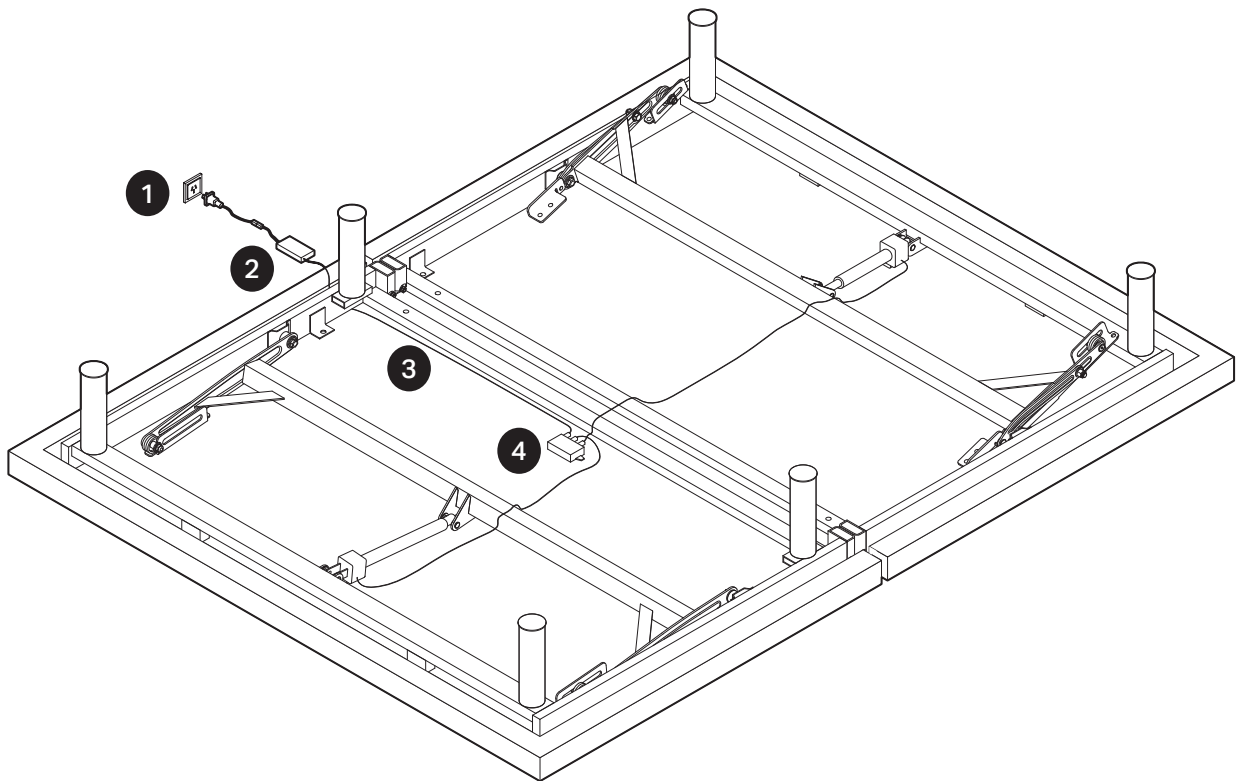
Your remote has been turned off. Follow these steps:

1. Lights on remote will still flash when any button is pressed if the remote has been turned off.
2. Press and hold ON / OFF button until a long beep is heard. This will turn the remote on.

**4**

Your bed may not be connected to power. Follow these steps:

1. Ensure the power cable is plugged into the power outlet and the outlet is switch ON.
2. Ensure the power cable is connected to the power supply and the LED on the power supply is illuminated.
3. Ensure the extension cable from power supply to bed motor control box is connected.
4. Ensure all connections in motor control box are secure and not loose.



Replacing Remote

If your Motion Bed Remote Control needs to be replaced, follow the following steps to activate the new remote.

1. Turn OFF power outlet and unplug the power cable from the power outlet.
2. Press and hold the Lift Back & Foot and Drop Back & Foot buttons simultaneously until lights flash.
3. Plug power cable back into power outlet while lights are flashing and turn power outlet ON. A beep will be heard once there is power in the bed. If successful, 3 beeps will be heard and the new remote will be paired. If unsuccessful, only one beep will be heard. Repeat process if pairing is unsuccessful until 3 beeps are heard.

