

## King Cabana

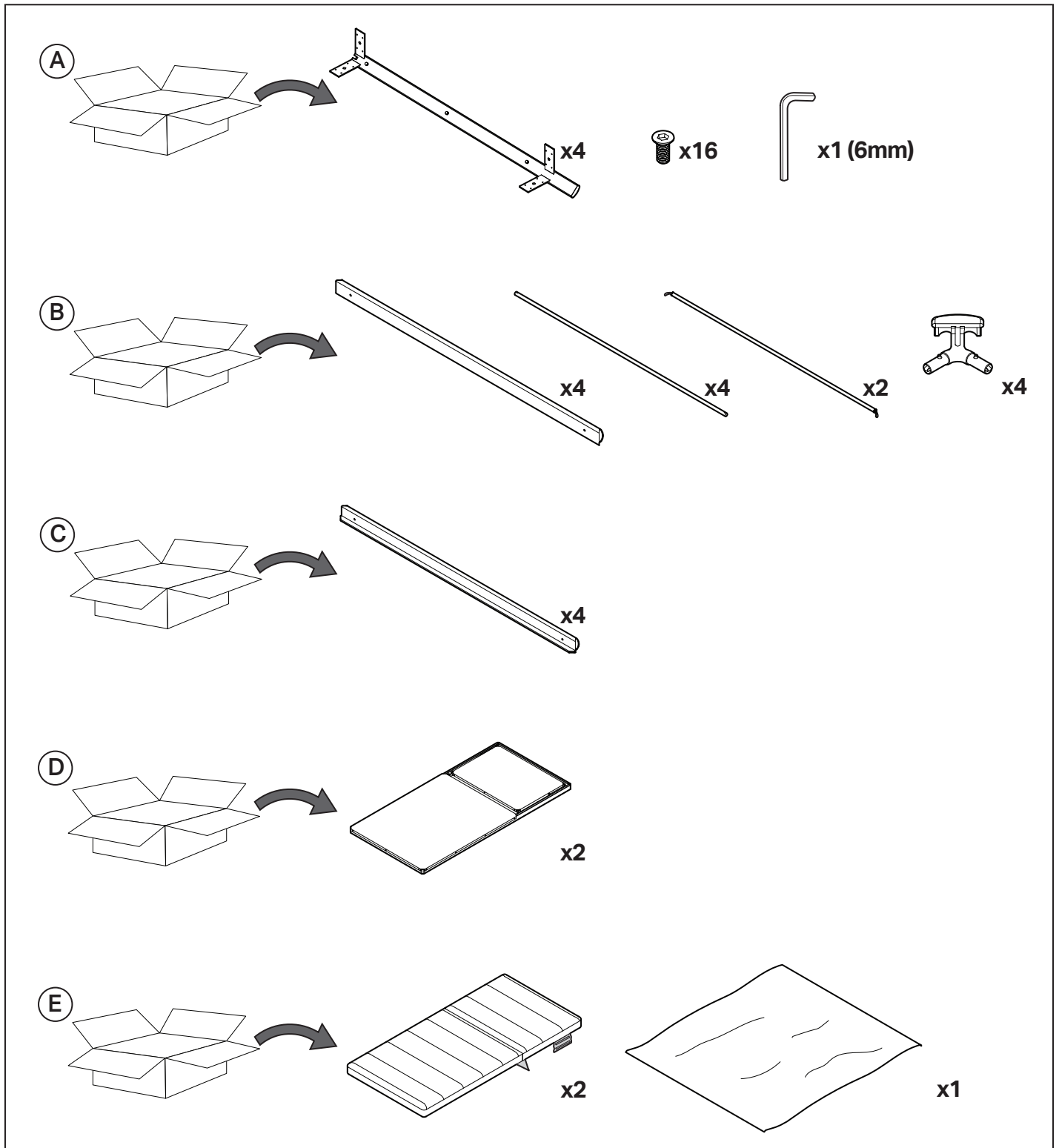
### Assembly | User Guide

Two people are required for safe assembly

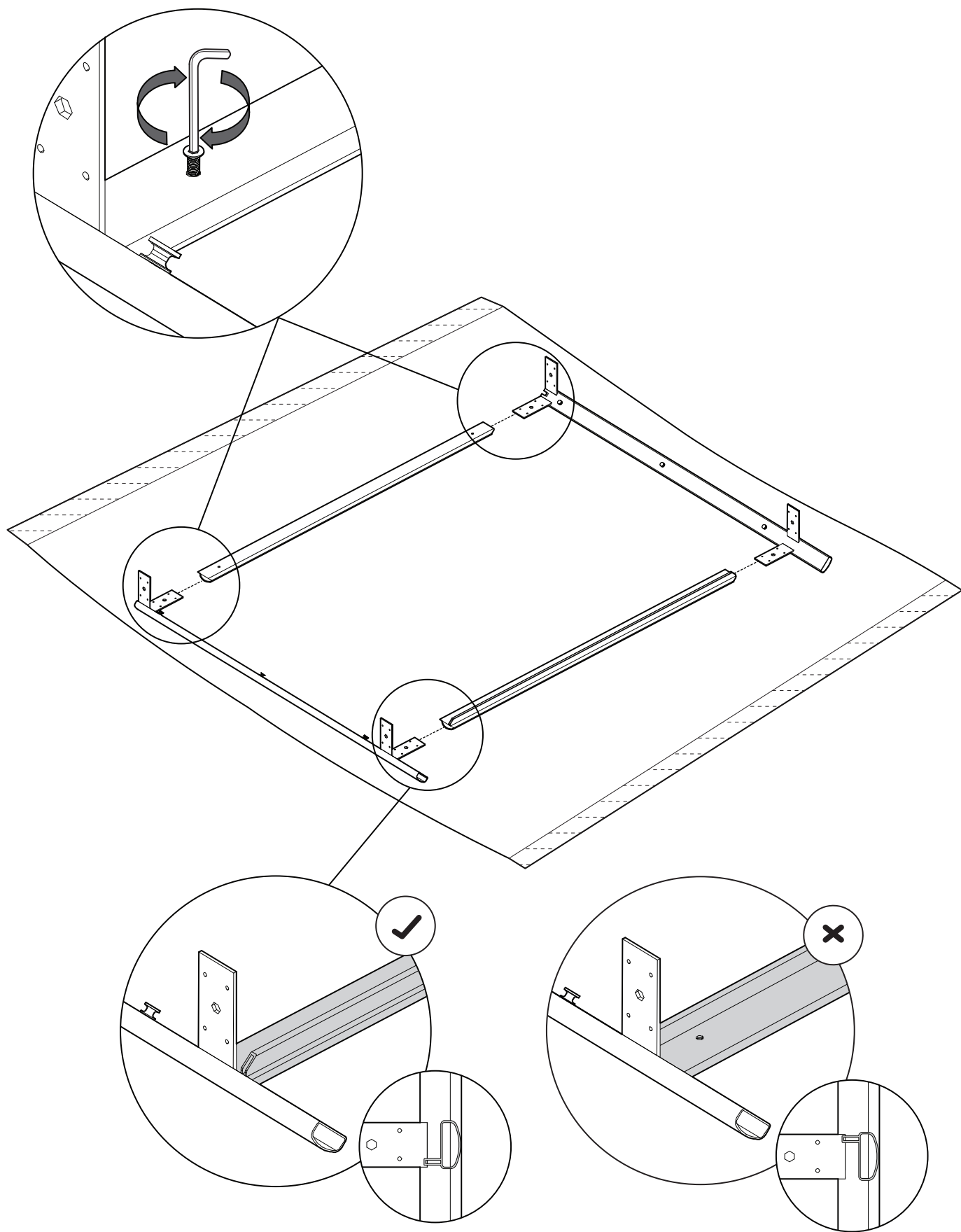
#### Opening Boxes:

DO NOT use a knife to open the packaging as you may damage your furniture.  
Peel off the tape, then lift & separate the cardboard flaps to open.

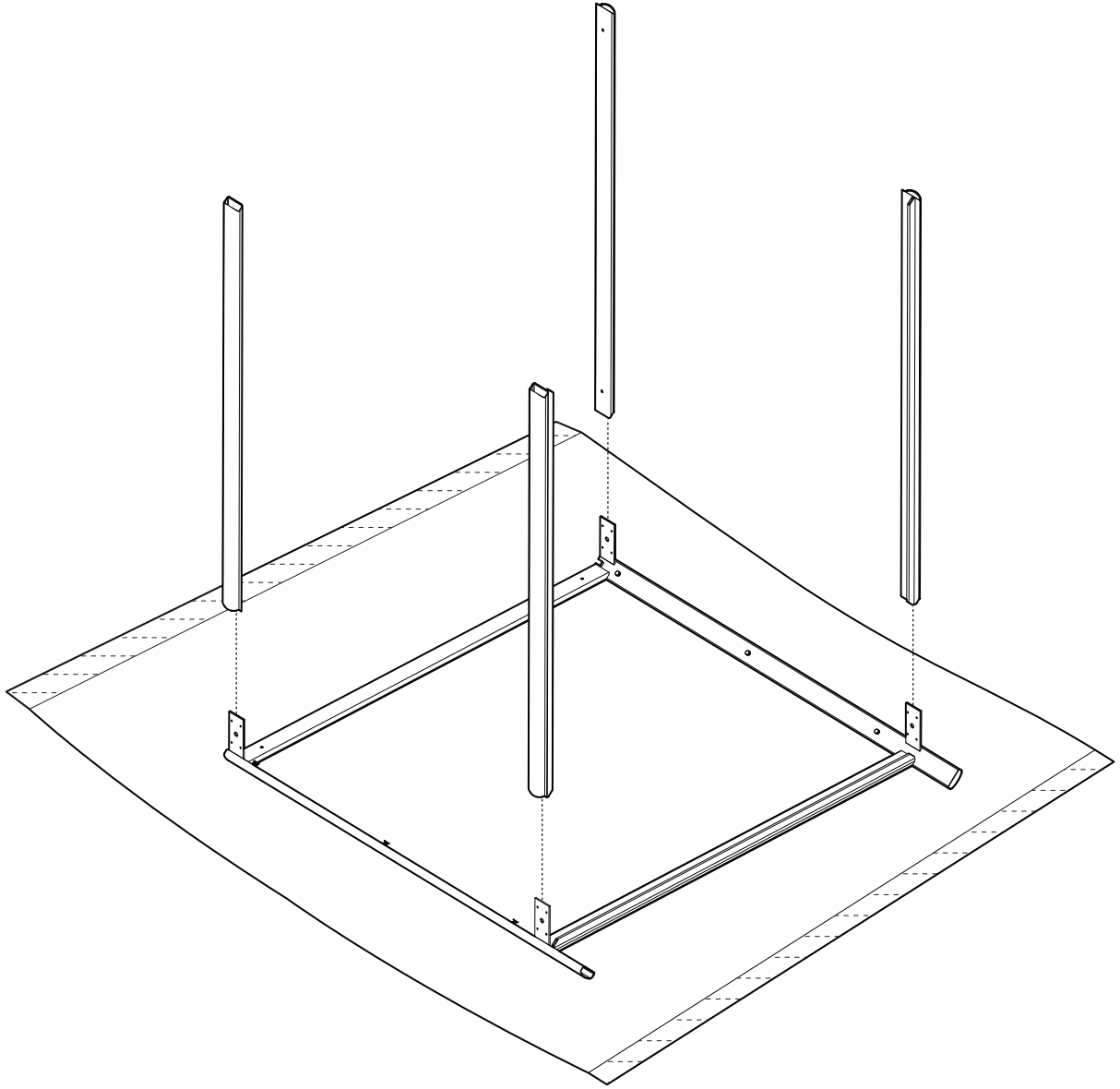
Assemble your furniture by following the instructions below.



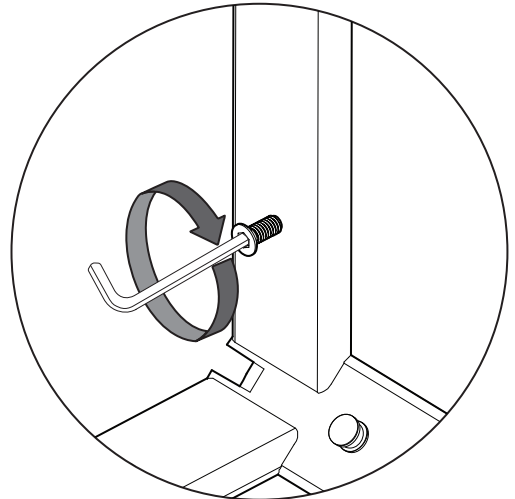
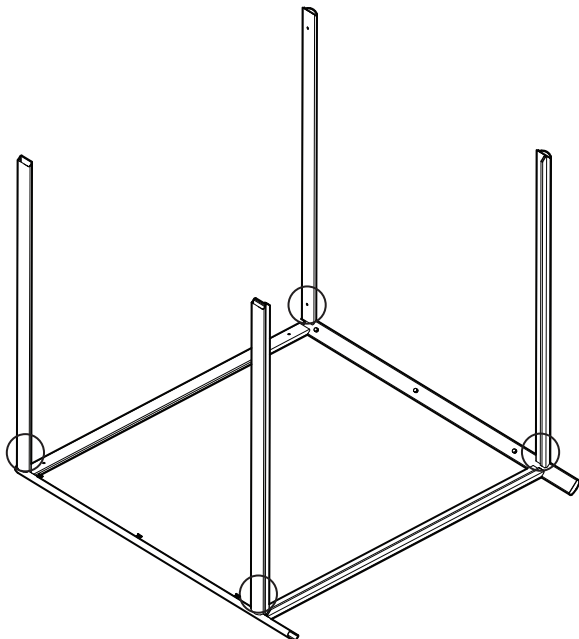
1

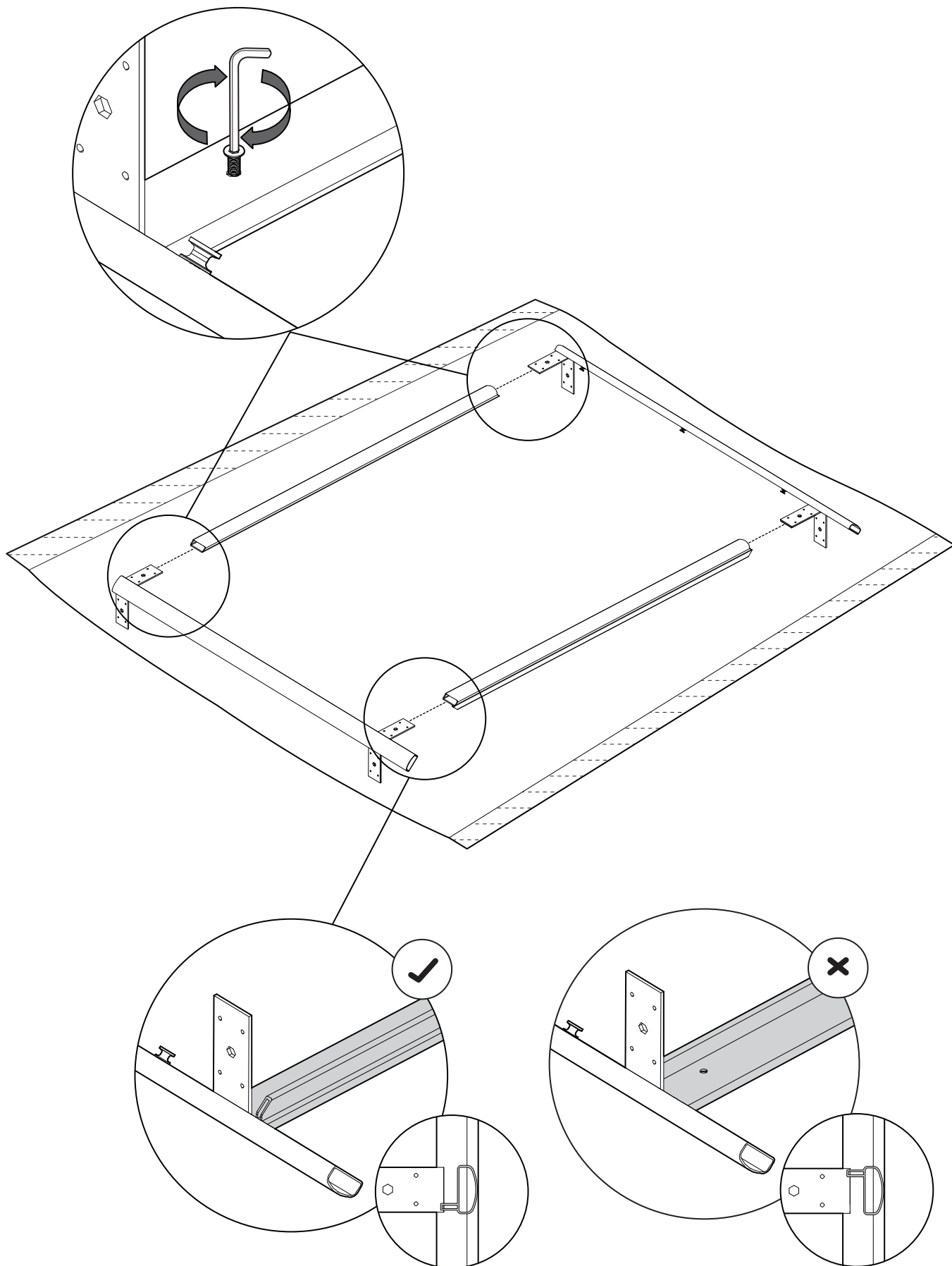


2

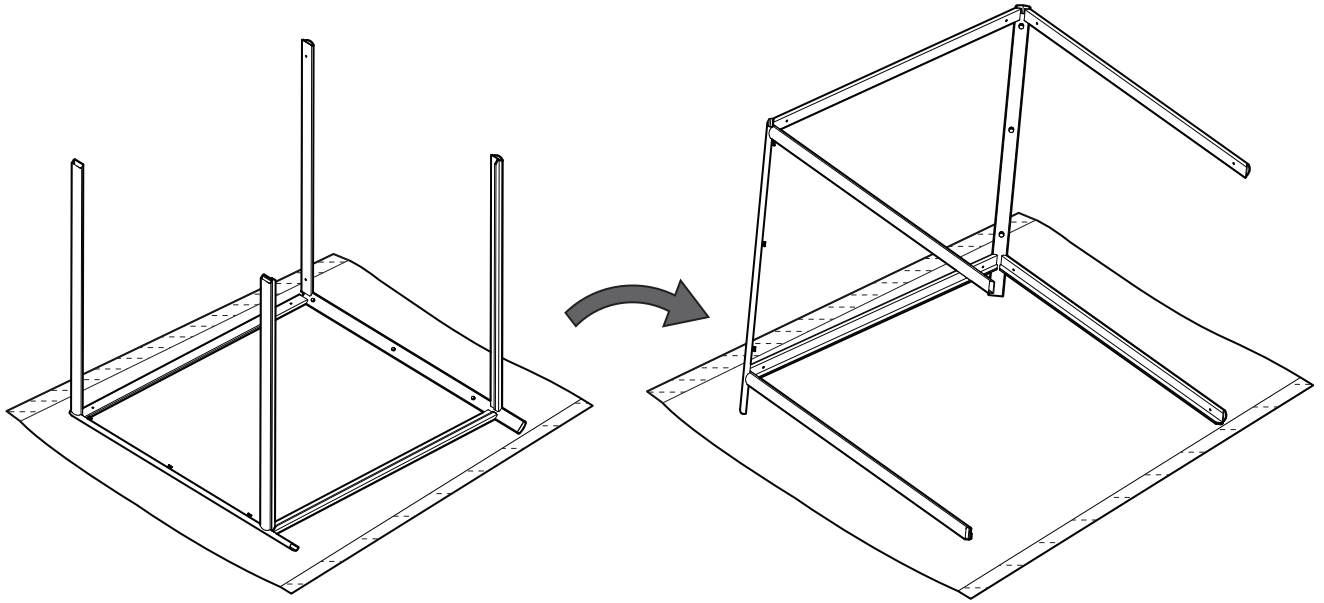


3

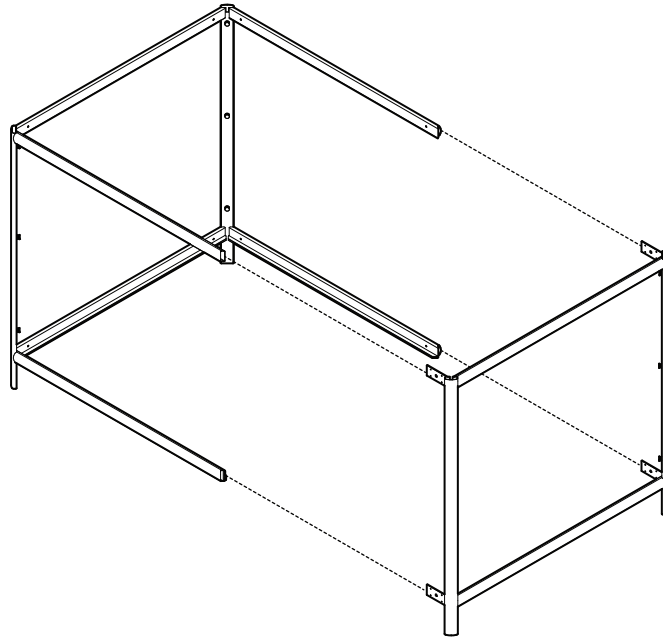




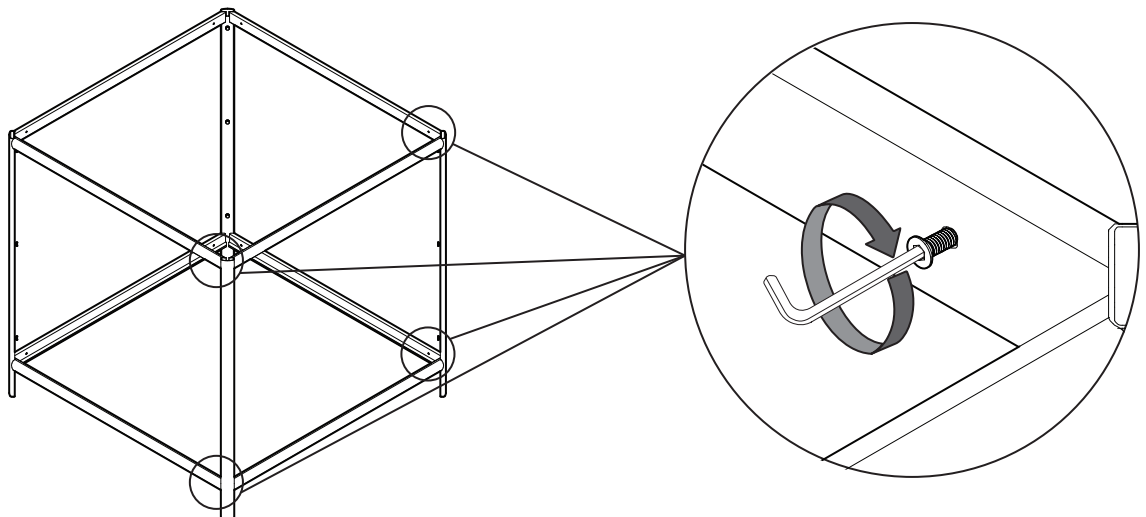
5

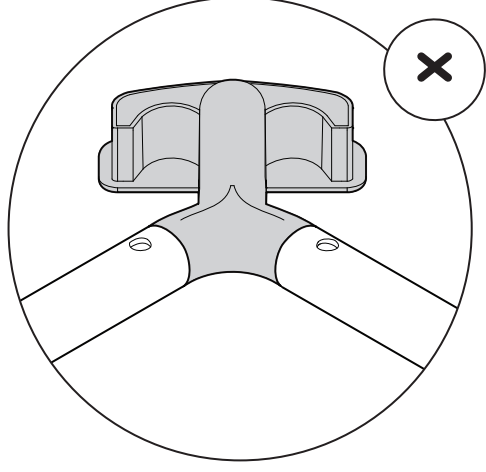
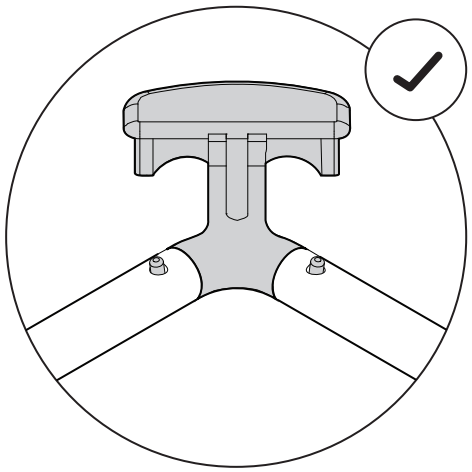
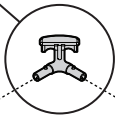
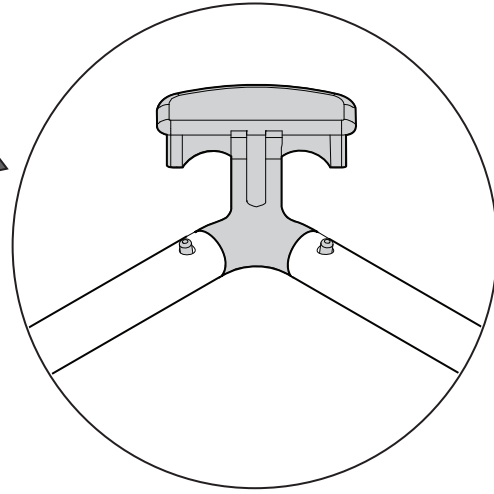
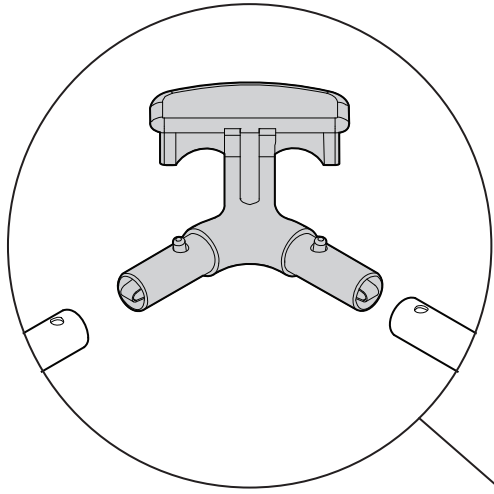
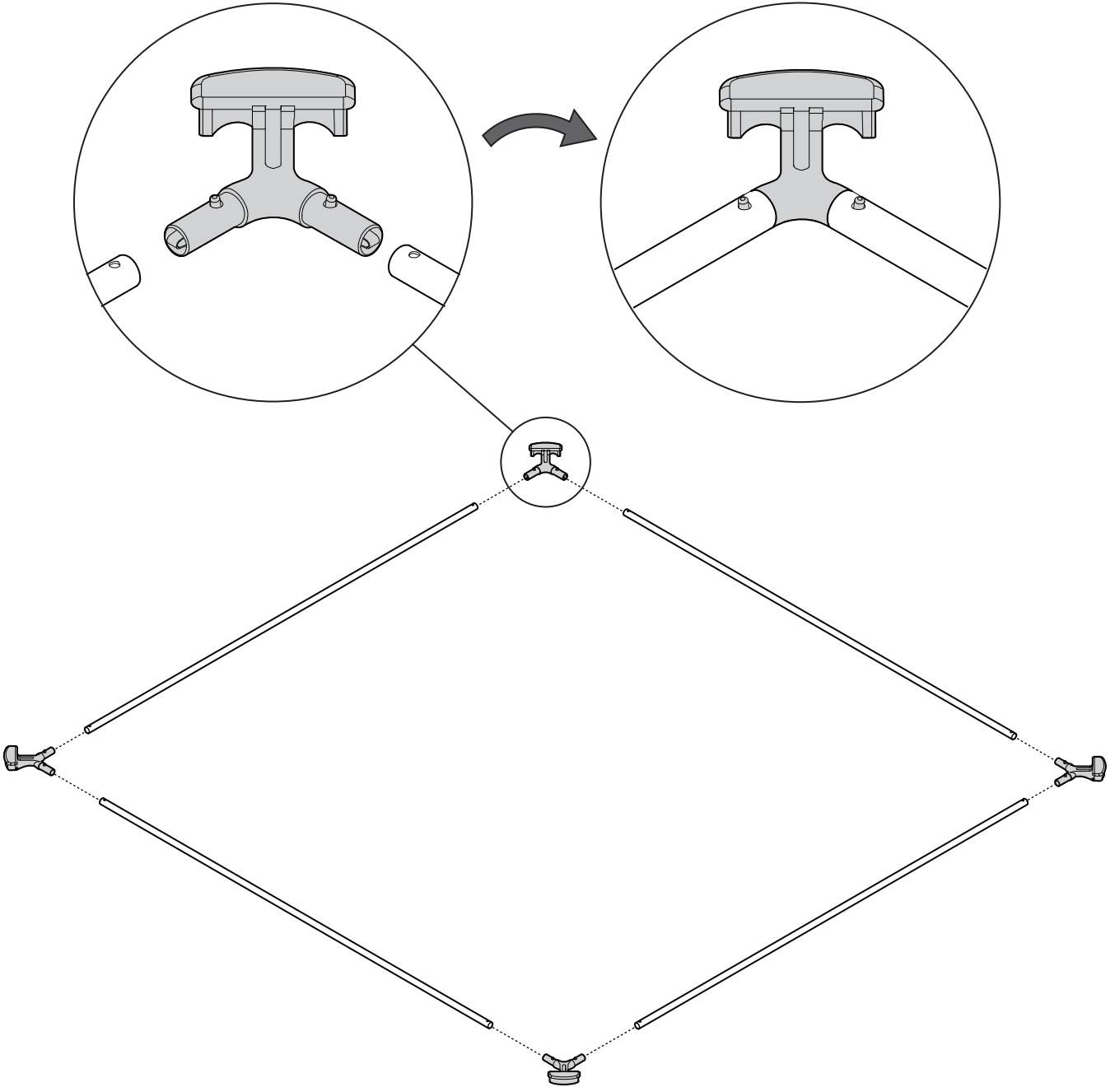


6

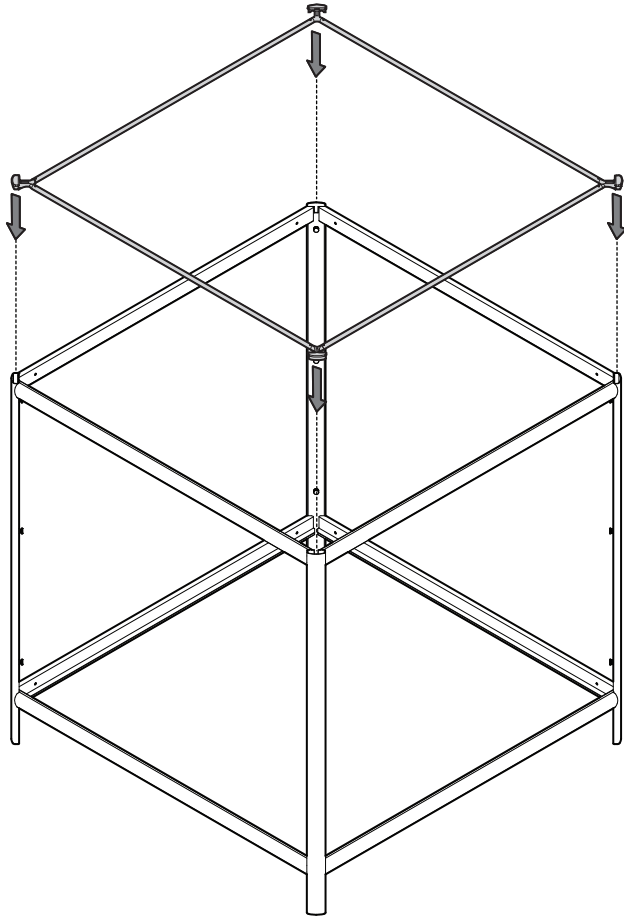


7

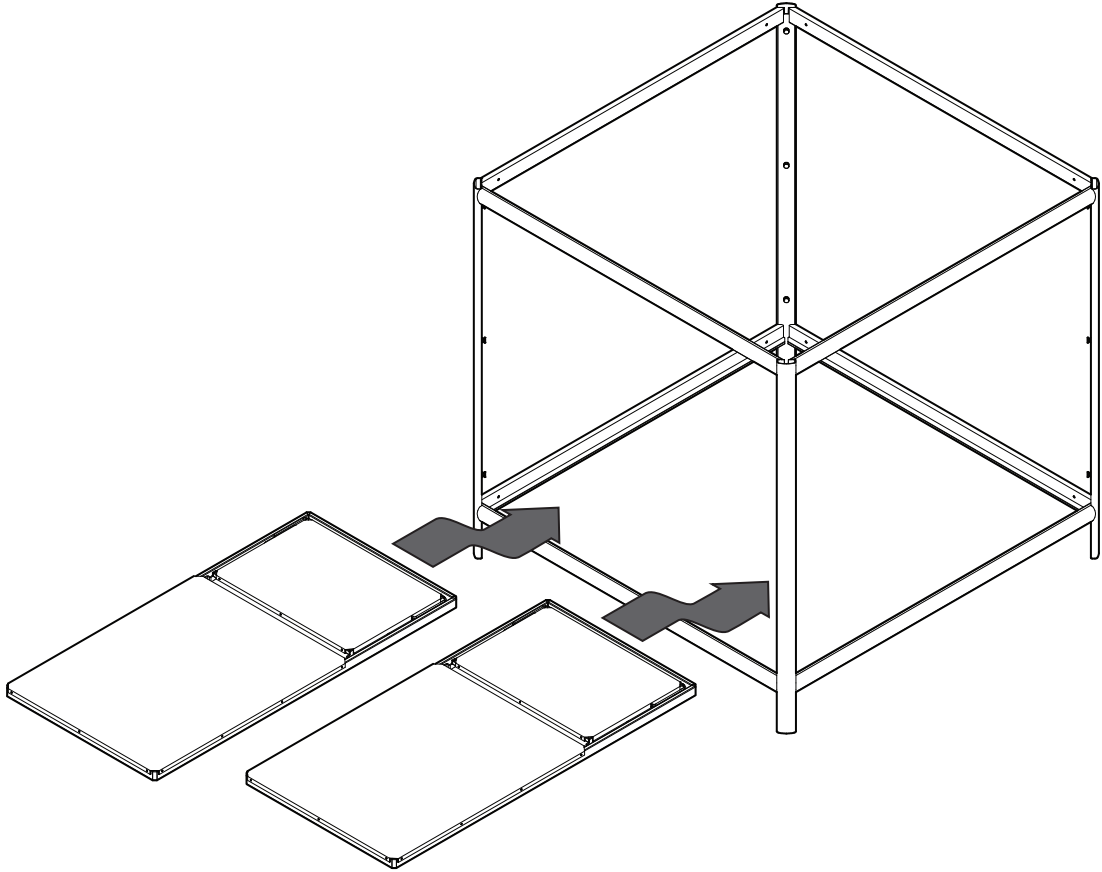




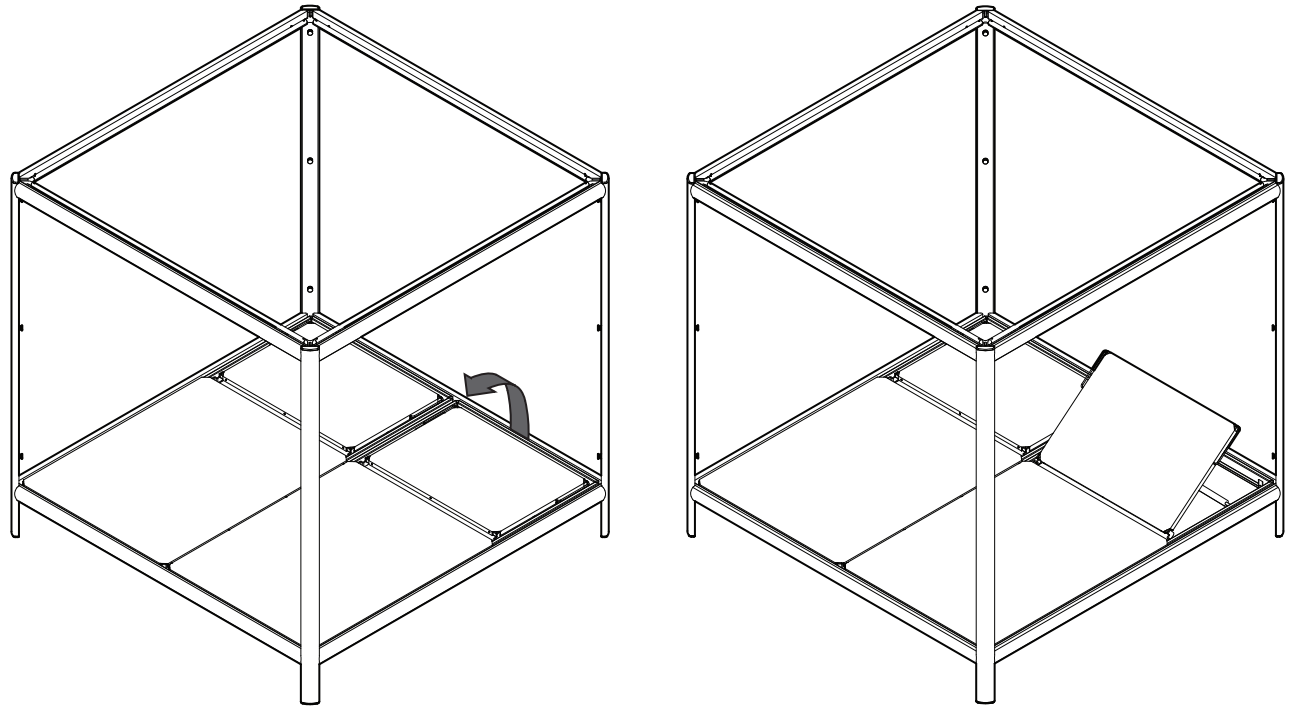
9



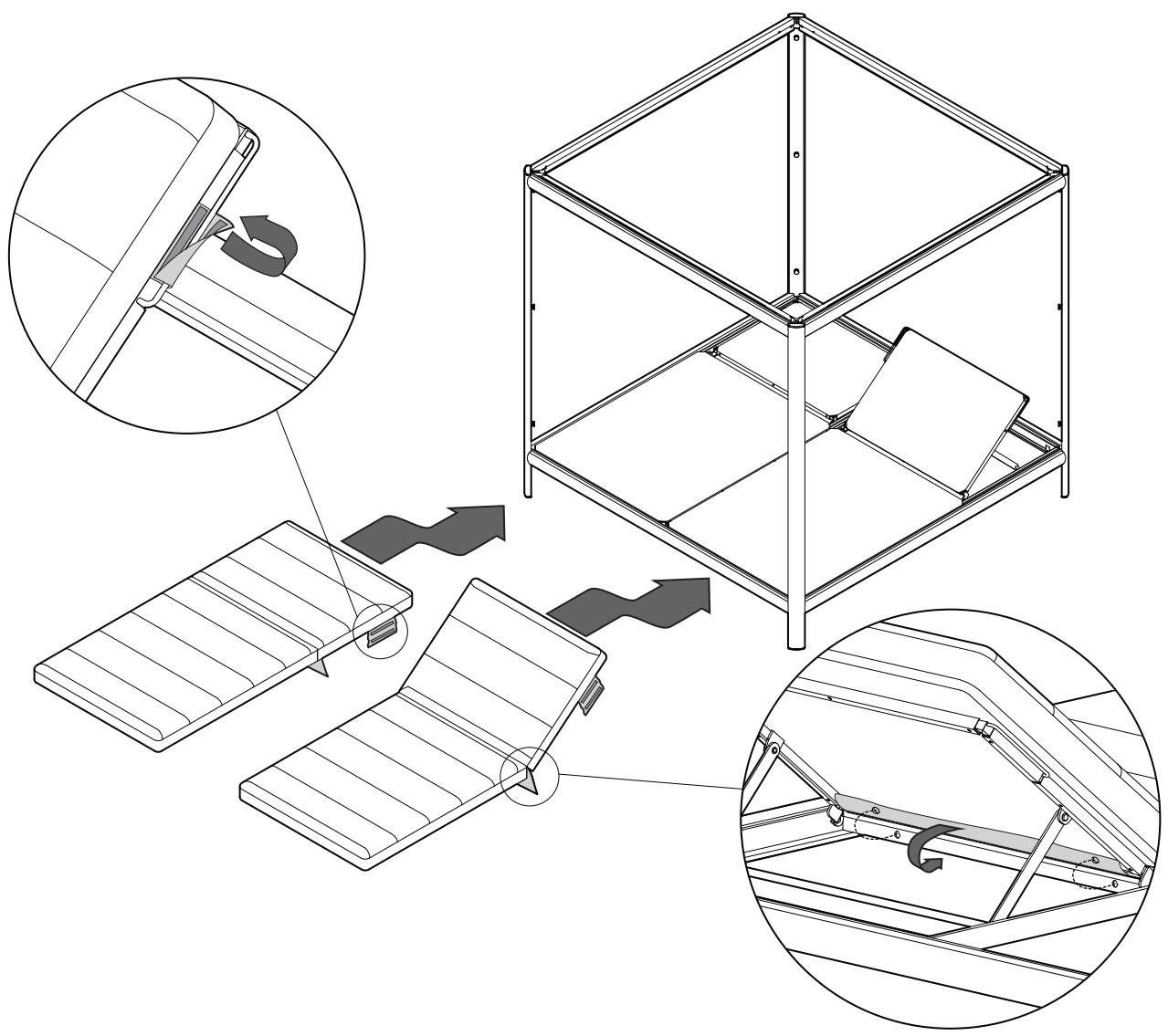
10



11

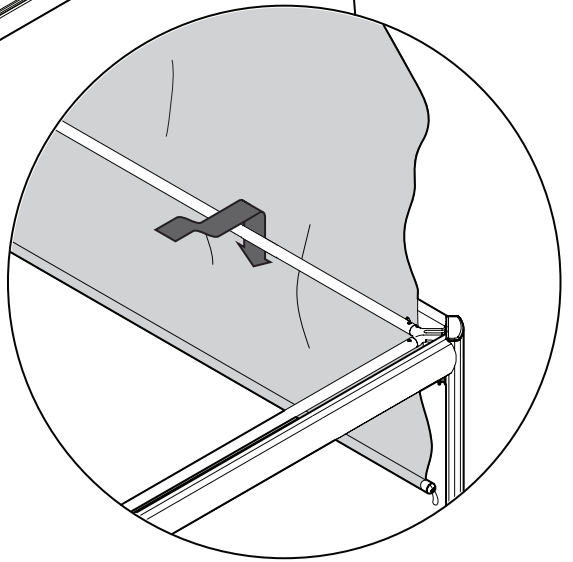
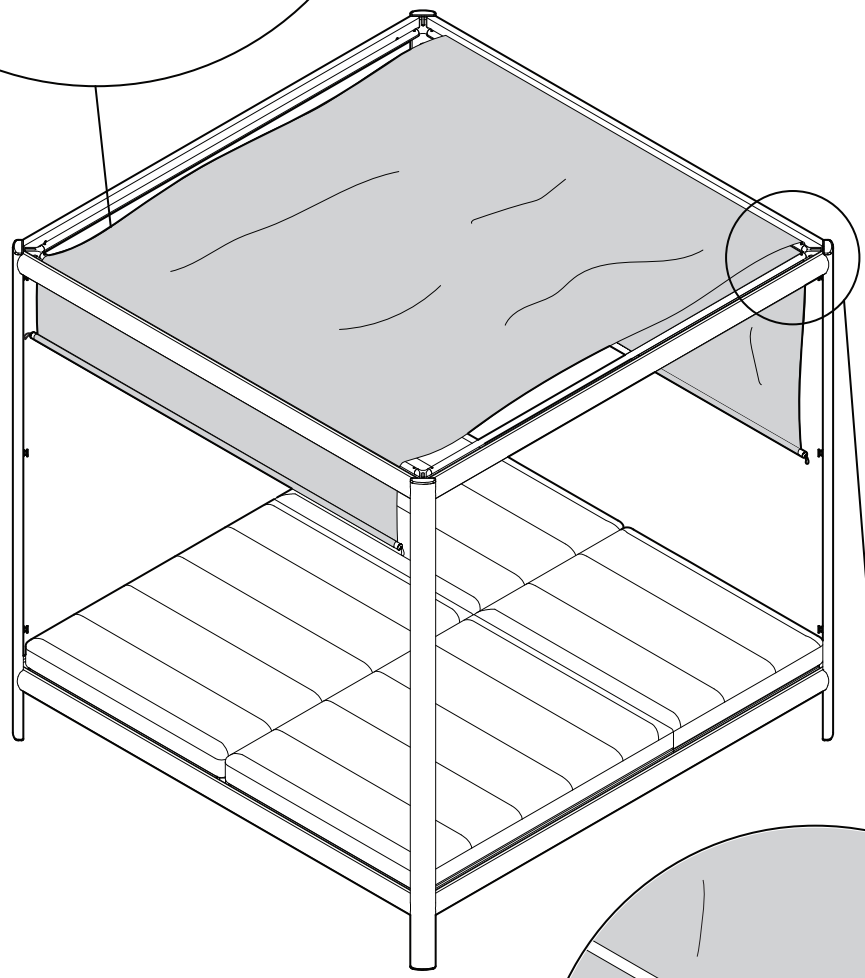
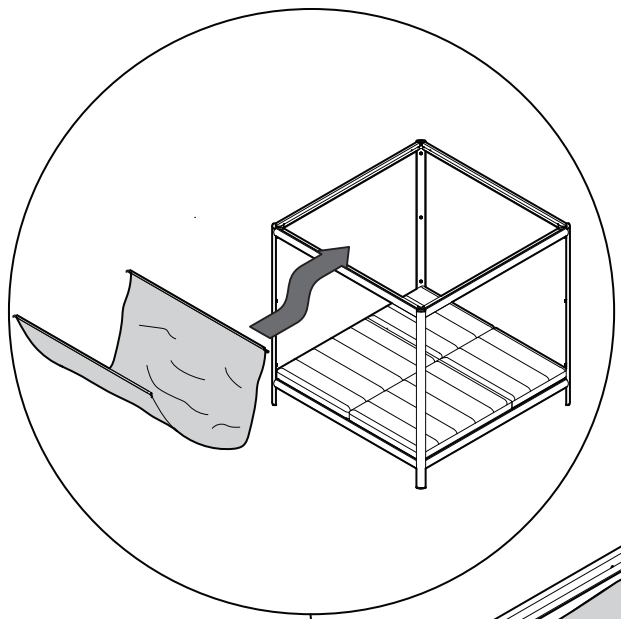


12

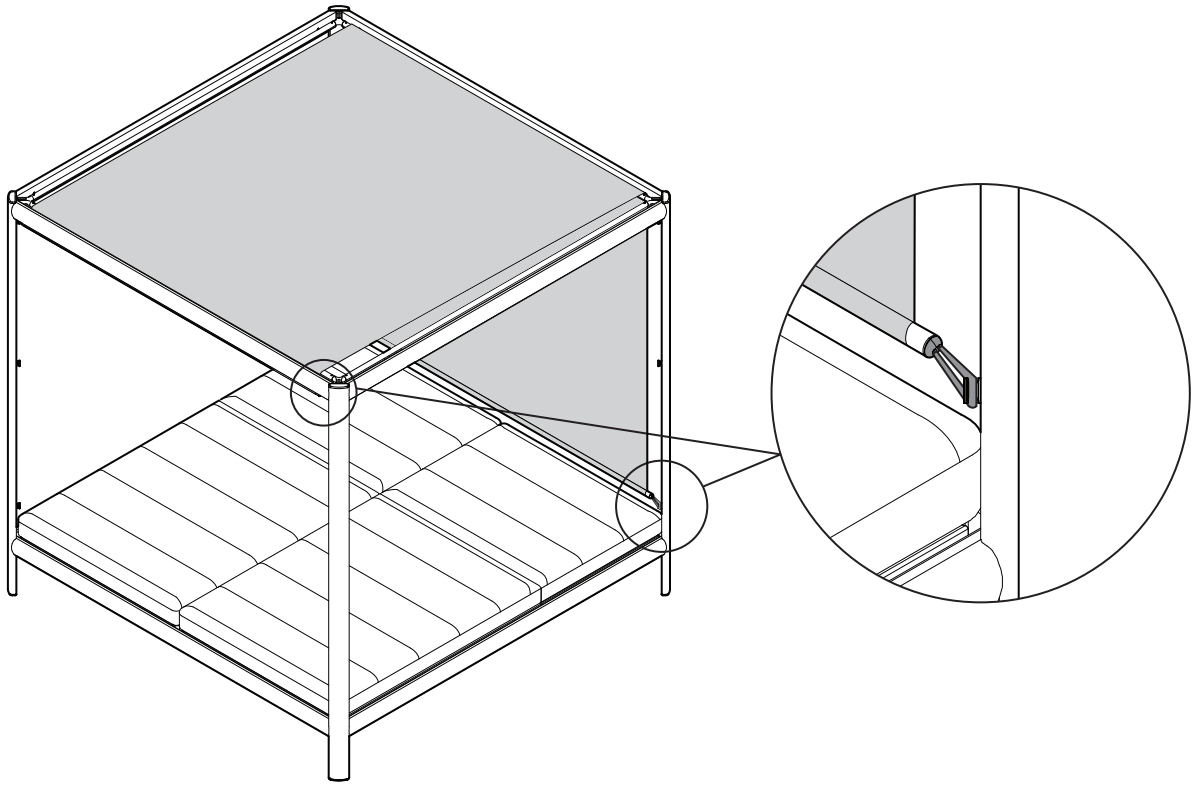




Shade Canopy Installation

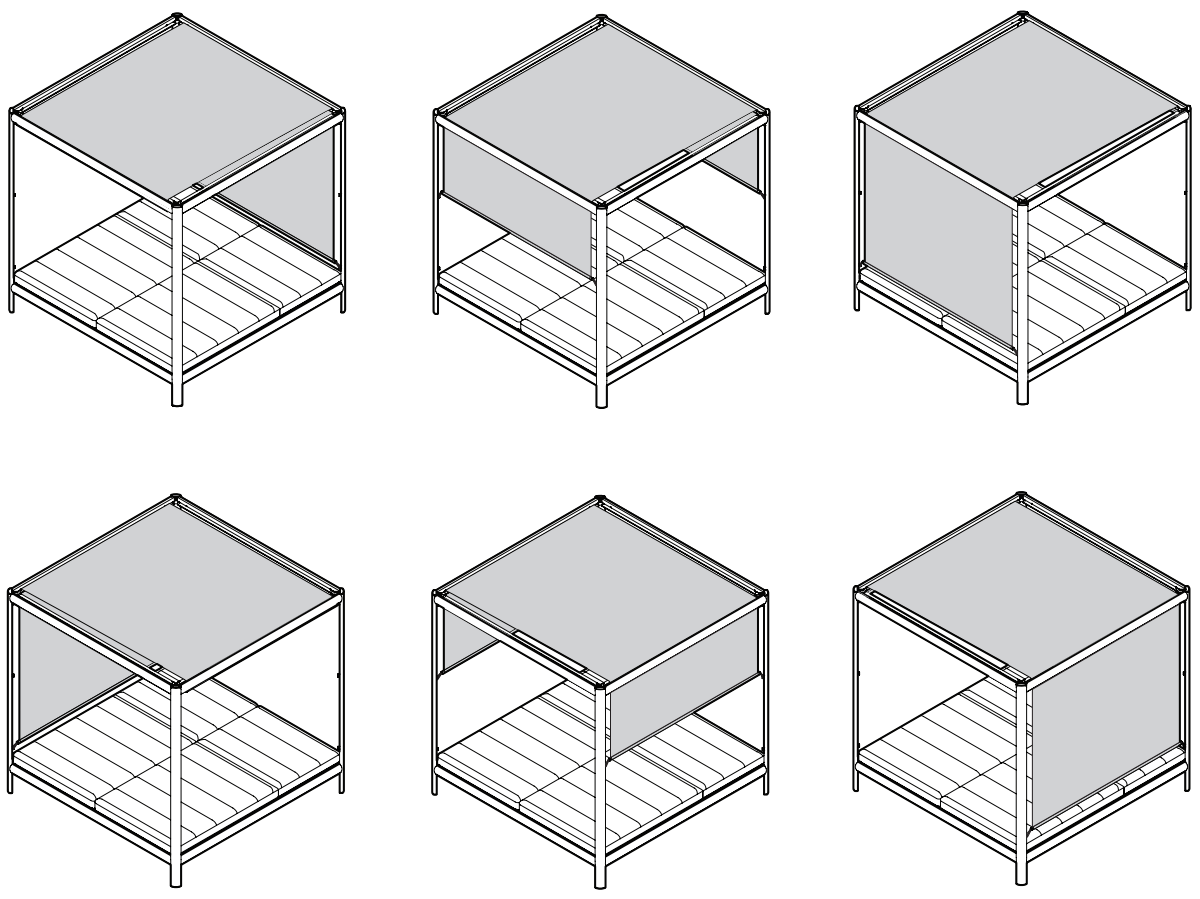


14



15

Shade Canopy Positions



Additional Shade Canopy

