

# Issho Dining Table

## Assembly Instructions

### 2995 Rectangle

**KING**<sup>®</sup>  
L I V I N G

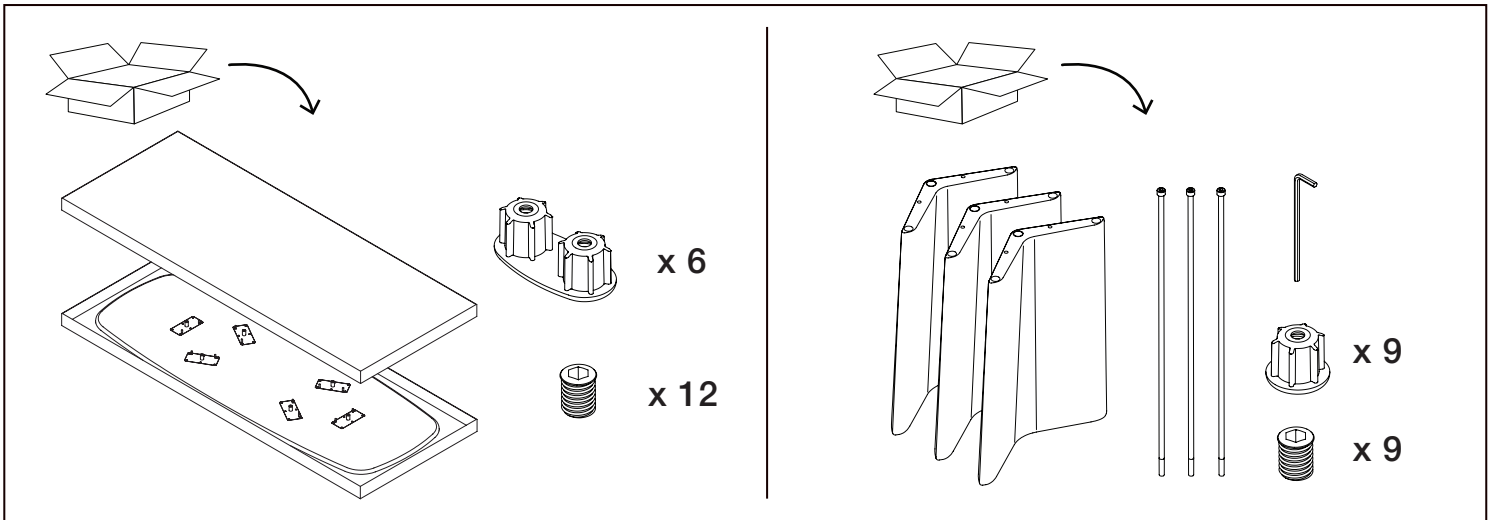
Two people are required for safe assembly.

#### Opening Boxes

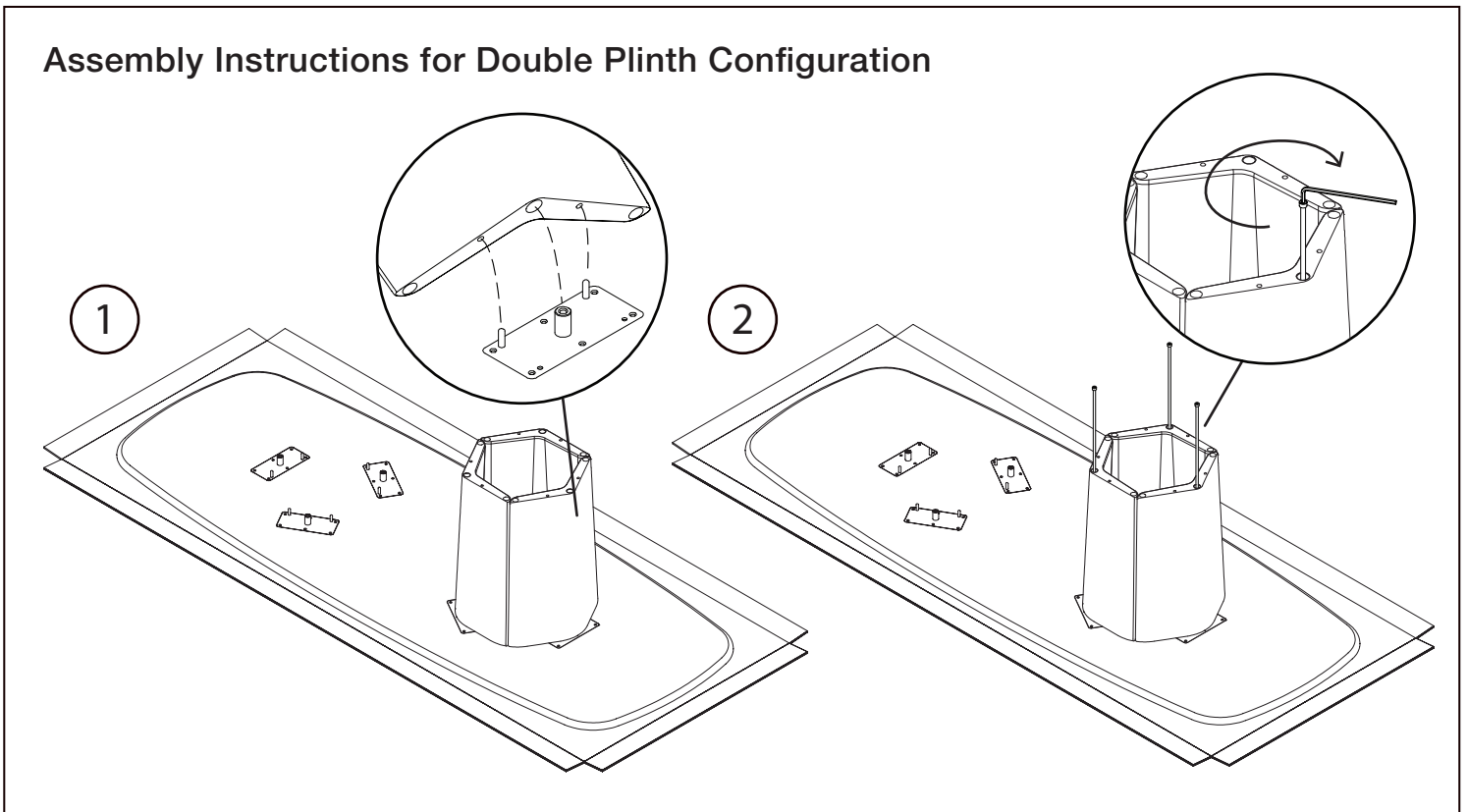
DO NOT use a knife to open the King Living boxes as you may damage your furniture.

Peel off the tape, then lift & separate the cardboard flaps to open.

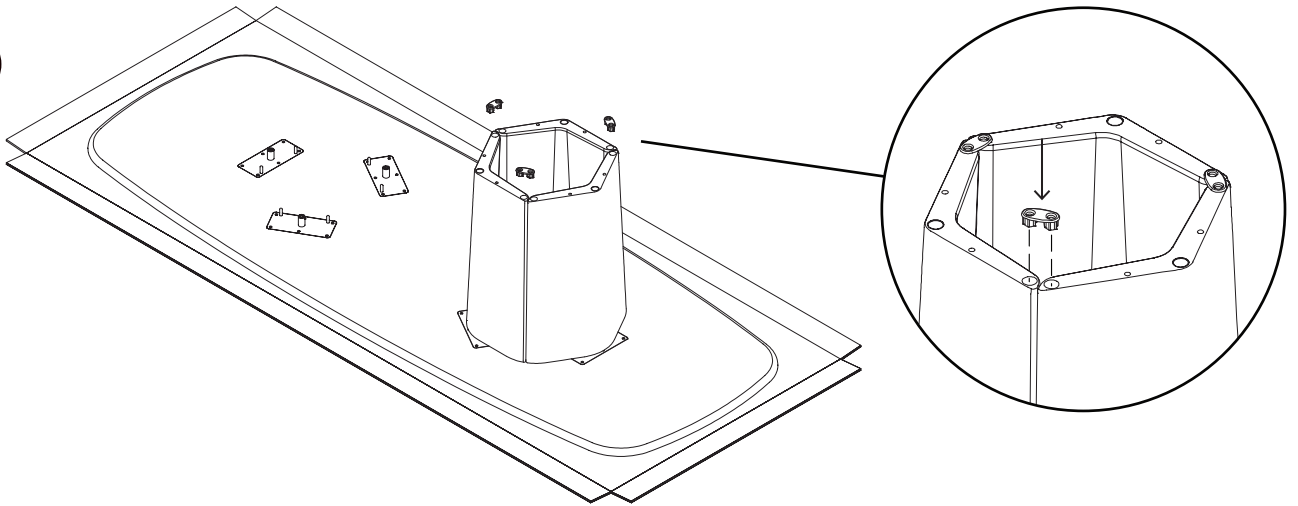
Assemble your furniture by following the steps below.



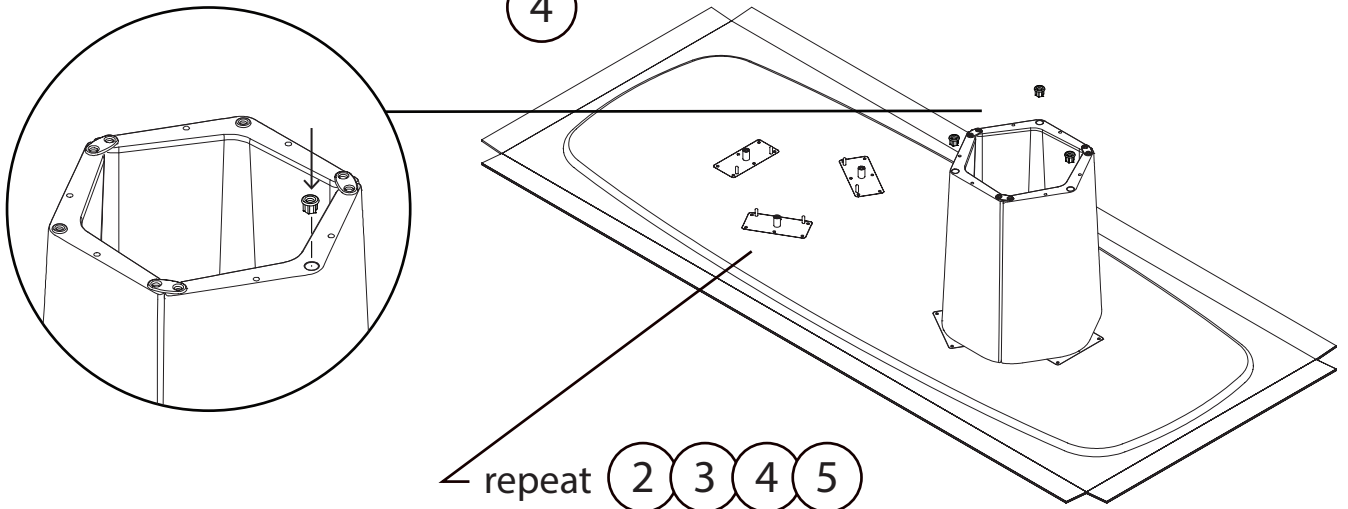
#### Assembly Instructions for Double Plinth Configuration



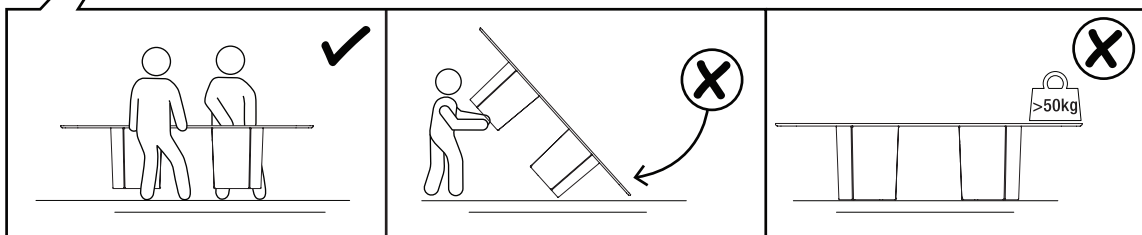
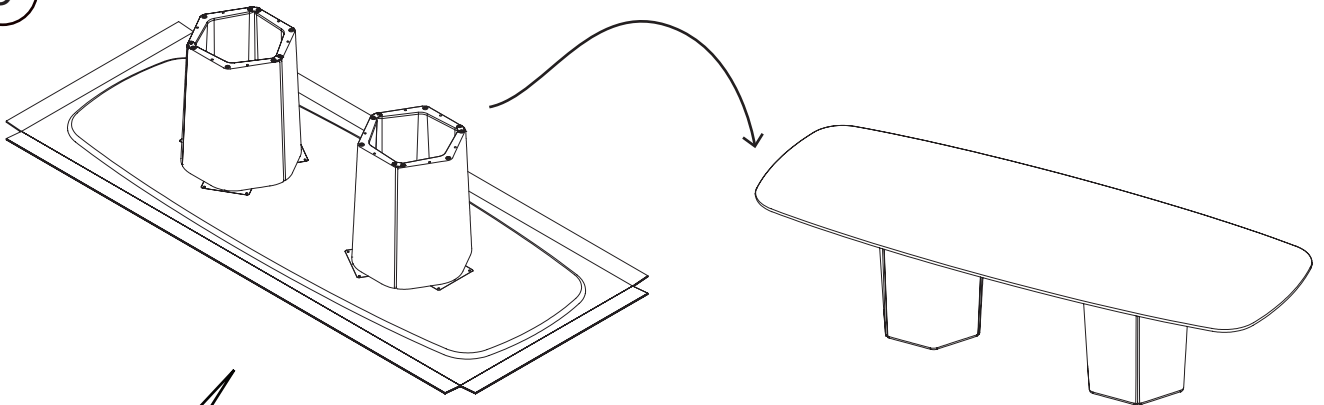
3



4

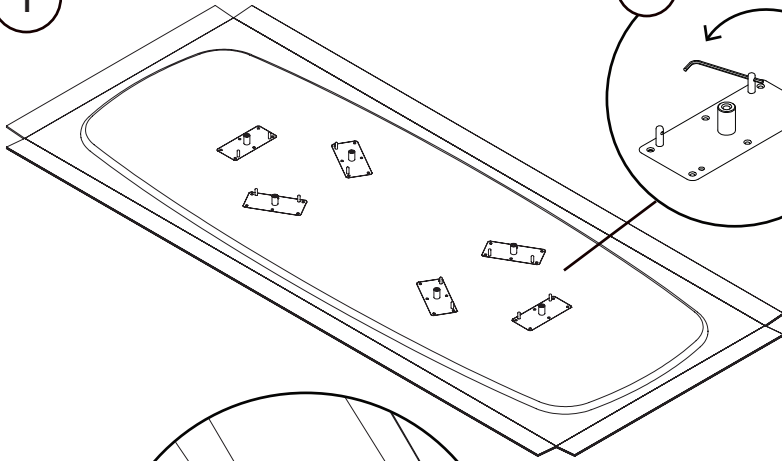


5

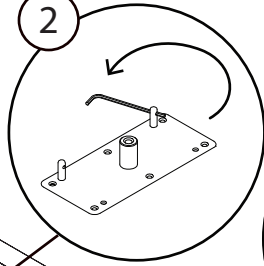


# Switching Fastener Plate Position for Open Base Configuration

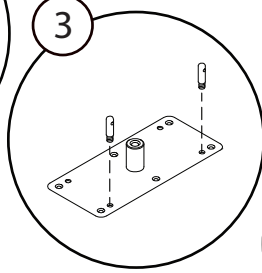
1



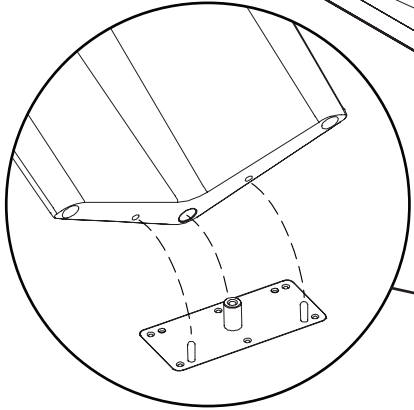
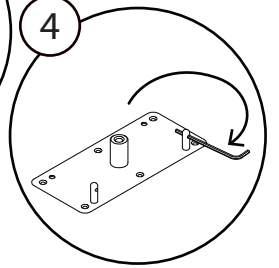
2



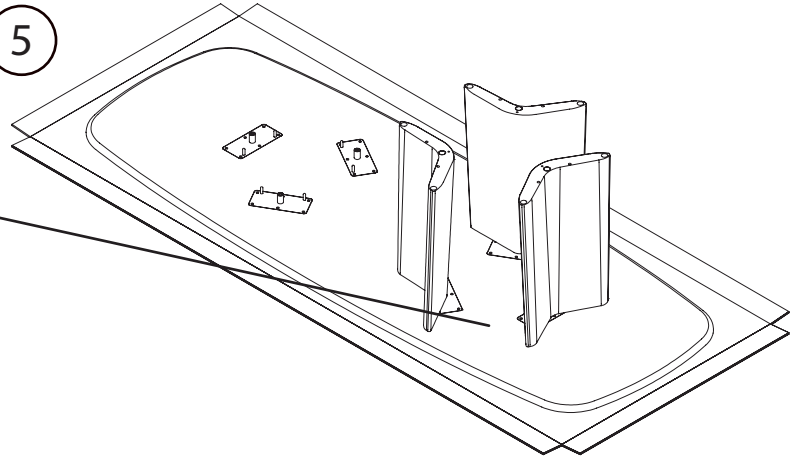
3



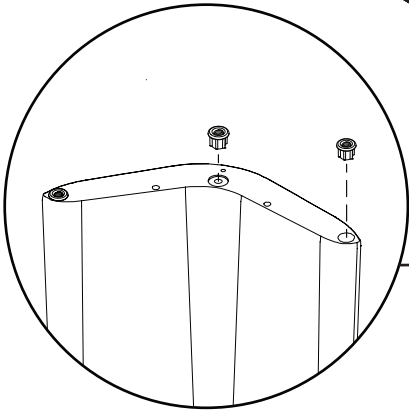
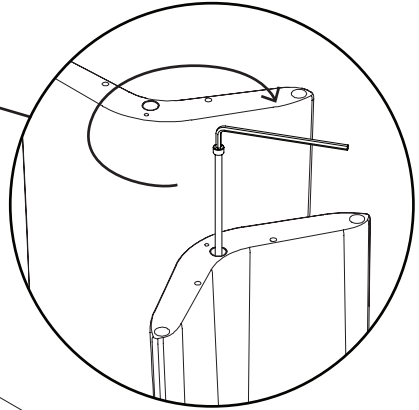
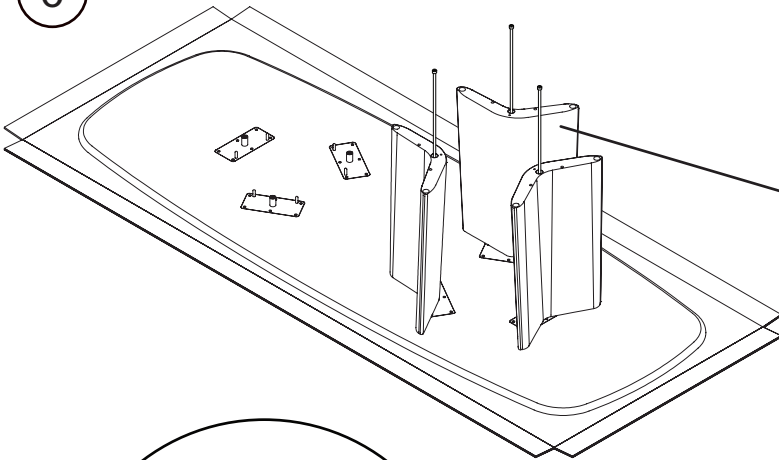
4



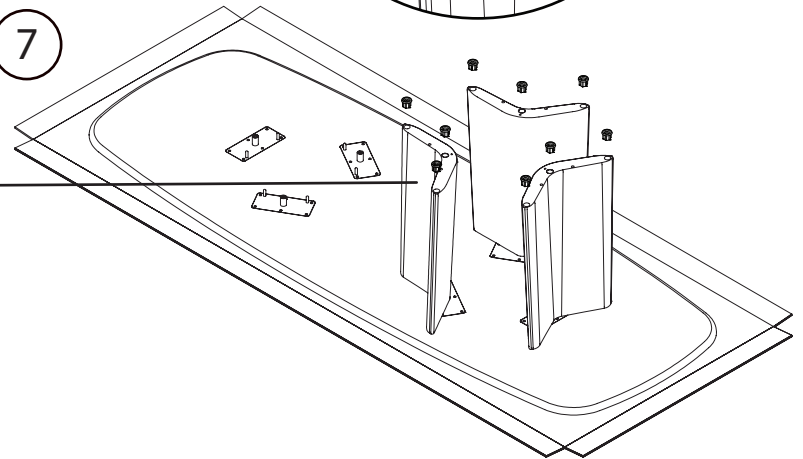
5



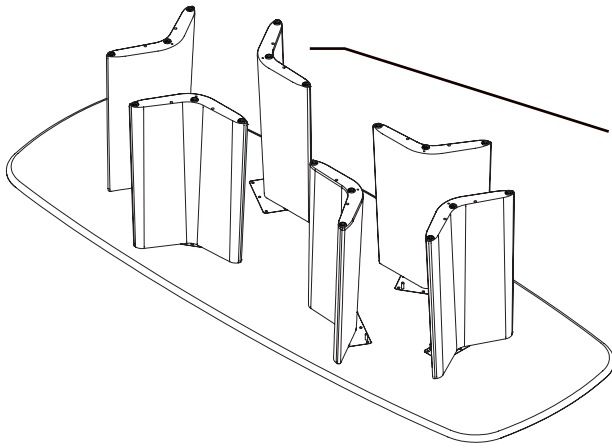
6



7

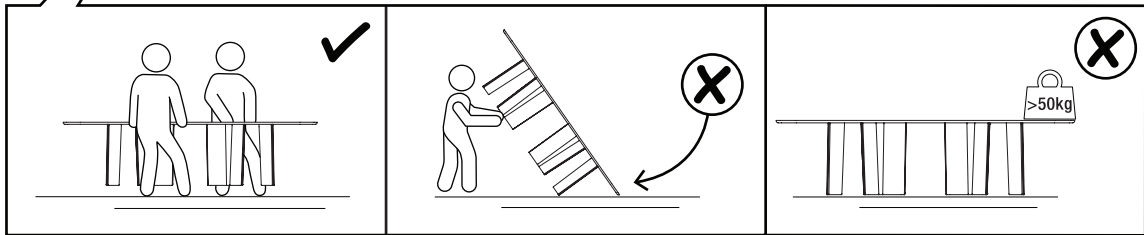
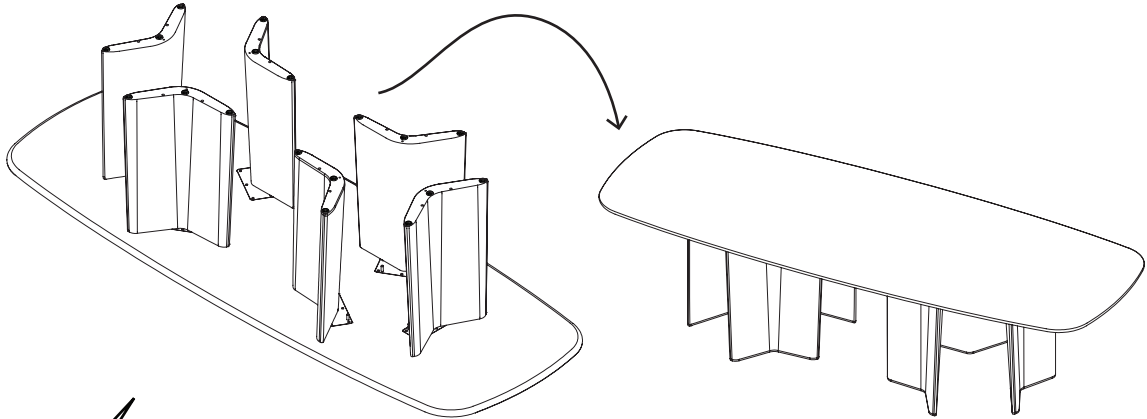


8



repeat 2 3 4 5 6 7

9



### Adjustable Footcaps

